



## MUD PUMP SPARE PARTS MANUAL

# MUD PUMP SPARE PARTS MANUAL



Oilman Group (Oilman International LLC) has been supplying International Drilling Contractors with OEM and /or OEM Equivalent mud pump fluid end parts since its establishment in 1999, by jointly working with Mud King Products Inc of USA.

----Mud pump fluid end parts for NOV pump (P and F pump), Gardner Denver (PZ pump) , BOMCO (F pump) and HH (F pump)

---Frac pump fluid end module and AR valves for FMC, GD, SPM pump

---BOMCO made F series Mud pump

---RS made PZ series Mud pump

### Oilman Group Ltd

Add: Oilman Bldg 1020, 999# Wangqiao Rd, Pudong,  
Shanghai, China, 201201.

Tel: 0086-21-58380680

whatsApp:+86-13524441752

Email: Sales@oilmangroup.com

Website: <http://www.oilmangroup.com/>



# MUD PUMP EXPENDABLES TRIPLEX FLUID END PARTS

## TABLE OF CONTENTS

DESCRIPTION	PAGE
<b>MUD PUMP EXPENDABLES</b>	
EMSCO F-350 .....	3
EMSCO F-500 .....	4
EMSCO F-650 .....	5
EMSCO F-800 .....	6
EMSCO F-1000 .....	7
EMSCO FB-1300 .....	8
EMSCO FB-1600 .....	9
OPI 700HDL.....	10
GARDNER DENVER PAH (All Models), PJ8A.....	11
GARDNER DENVER TEE & TGE.....	12
GARDNER DENVER PZ-GA & GB PZ-7 .....	13
GARDNER DENVER PZ-H-E, VE PZ-8.....	14
GARDNER DENVER PZ-GA & GB PZ-9 .....	15
GARDNER DENVER PZ-10 .....	16
GARDNER DENVER PZ-11.....	17
IDECO T-500 .....	18
IDECO T-800 .....	19
IDECO T-1000 .....	20
IDECO T-1300 .....	21
IDECO T-1600 .....	22
OILWELL A-560-PT.....	23
OILWELL A-600-PT.....	24
OILWELL A-850-PT.....	25
OILWELL A-1100-PT .....	26
OILWELL A-1400-PT.....	27
OILWELL A-1700-PT.....	28
NATIONAL JWS-165/340.....	29
NATIONAL JWS-400.....	30
NATIONAL 7-P-50.....	31
NATIONAL 8-P-80.....	32
NATIONAL 9-P-100.....	33
NATIONAL 10-P-130.....	34
NATIONAL 12-P-160.....	35
<b>FLUID END MODULE AND ACCESSORIES</b>	
EMSCO F-350, F-500 & F-650 .....	37
EMSCO F-800 & F-1000.....	39
EMSCO FB-1300 & FB-1600 .....	41
BOMCO F-1300 & F-1600 .....	44
IDECO T-500, T-800 & T-1000.....	45
IDECO T-1300 & T-1600 .....	47
GARDNER DENVER PAH (All Models) .....	49
GARDNER DENVER PZ-7, PZ-8 & PZ-9.....	51
GARDNER DENVER PZ-10 & PZ-11.....	54
NATIONAL 7-P-50.....	56
NATIONAL 8-P-80.....	57
NATIONAL 9-P-100.....	59
NATIONAL 10-P-130.....	61
NATIONAL 12-P-160.....	63
OILWELL A-850-PT, A-1100-PT, A-1400-PT & A-1700-PT .....	66



# MUD PUMP EXPENDABLES TRIPLEX FLUID END PARTS

## TABLE OF CONTENTS (cont.)

DESCRIPTION	PAGE
<b>"L" SHAPED FLUID END MODULE AND ACCESSORIES</b>	
EMSCO FB-1300 & FB-1600 .....	68
IDECO T-1300 & T-1600 .....	70
GARDNER DENVER PZ-10 & PZ-11 .....	72
NATIONAL 10-P-130 .....	74
NATIONAL 12-P-160 .....	76
OILWELL A-850-PT, A-1100-PT, A-1400-PT & A-1700-PT.....	78
<b>7500PSI FLUID END MODULES AND ACCESSORIES</b>	
SW STYLE BOMCO F-1600 7500 PSI .....	80
SW STYLE GARDNER DENVER PZ-11 .....	82
HYDRAULIC VALVE SEAT PULLER.....	84
PULSATION DAMPENERS AND STRAINER BLOCKS .....	



# MUD PUMP EXPENDABLES TRIPLEX FLUID END PARTS

## EMSCO

**6<sup>3</sup>/<sub>4</sub> × 7**

**F-350**

Liners & Liner Packing		
SIZES	LINER	LINER PACKING
4"	0146-40	G-0281
4½"	0146-44	G-0281
5"	0146-50	G-0281
5½"	0146-54	G-0281
6"	0146-60	G-0281
6¼"	0146-62	G-0281
6½"	0146-64	G-0281
6¾"	0146-66	G-0281

Gaskets	
Valve Cover Gasket	Cylinder Head Gasket
G-0733	G-0281

SERIES	VALVE	SEAT	SPRING	URETHANE INSERT	PULLER HEAD
P-4 WEB	U5B-05	5DD-B1	5710-111	UDD-5B	1700-5
P-FULL OPEN	5DFO-V1	5DFO-S1	5710-030	5DFO-SI	1700-5FO
P-DOUBLE ANGLE	0500117	0508623	05147900	0515844	1700-5BA
P-PLATE TYPE	0504991	0508623	05144230	0504888	1700-5BA

Piston Size	Red Thunder Bonded Pistons	Imperial Piston	Imperial Rubber Kits	Rubber Bonded	Long Life (Urethane)
4"	RT-400-10	I40HK10	I40HK	RB-400-10	LL-400-10
4½"	RT-440-10	I44HK10	I44HK	RB-440-10	LL-440-10
5"	RT-500-10	I50HB10	I50HB	RB-500-10	LL-500-10
5½"	RT-540-10	I54HB10	I54HB	RB-540-10	LL-540-10
6"	RT-600-10	I60HB10	I60HB	RB-600-10	LL-600-10
6½"	RT-640-10	I64HL10	I64HL	RB-640-10	LL-640-10

\* ¼ Size are available upon request

RODS					
	PISTON ROD	SUB ROD	EXTENSION ROD	ROD CLAMP	PISTON ROD NUT
<b>PART NO.</b>	0147	N/A	16-0142	24-0146	7403224



# MUD PUMP EXPENDABLES TRIPLEX FLUID END PARTS

## EMSCO

**6<sup>3</sup>/<sub>4</sub> × 7<sup>1</sup>/<sub>2</sub>**

**F-500**

Liners & Liner Packing		
SIZES	LINER	LINER PACKING
4"	0146-40	G-0281
4½"	0146-44	G-0281
5"	0146-50	G-0281
5½"	0146-54	G-0281
6"	0146-60	G-0281
6¼"	0146-62	G-0281
6½"	0146-64	G-0281
6¾"	0146-66	G-0281

Gaskets	
Valve Cover Gasket	Cylinder Head Gasket
G-0733	G-0281

SERIES	VALVE	SEAT	SPRING	URETHANE INSERT	PULLER HEAD
P-4 WEB	U5B-05	5DD-B1	5710-111	UDD-5B	1700-5
P-FULL OPEN	5DFO-V1	5DFO-S1	5710-030	5DFO-SI	1700-5FO
P-DOUBLE ANGLE	0500117	0508623	05147900	0515844	1700-5BA
P-PLATE TYPE	0504991	0508623	05144230	0504888	1700-5BA

Piston Size	Red Thunder Bonded Pistons	Imperial Piston	Imperial Rubber Kits	Rubber Bonded	Long Life (Urethane)
4"	RT-400-10	I40HK10	I40HK	RB-400-10	LL-400-10
4½"	RT-440-10	I44HK10	I44HK	RB-440-10	LL-440-10
5"	RT-500-10	I50HB10	I50HB	RB-500-10	LL-500-10
5½"	RT-540-10	I54HB10	I54HB	RB-540-10	LL-540-10
6"	RT-600-10	I60HB10	I60HB	RB-600-10	LL-600-10
6½"	RT-640-10	I64HL10	I64HL	RB-640-10	LL-640-10

\* ¼ Size are available upon request

RODS					
	PISTON ROD	SUB ROD	EXTENSION ROD	ROD CLAMP	PISTON ROD NUT
<b>PART NO.</b>	0146	N/A	16-0142	24-0146	7403224



# MUD PUMP EXPENDABLES TRIPLEX FLUID END PARTS

## EMSCO

**6<sup>3</sup>/<sub>4</sub> × 8**

**F-650**

Liners & Liner Packing		
SIZES	LINER	LINER PACKING
4"	0146-40	G-0281
4½"	0146-44	G-0281
5"	0146-50	G-0281
5½"	0146-54	G-0281
6"	0146-60	G-0281
6¼"	0146-62	G-0281
6½"	0146-64	G-0281
6¾"	0146-66	G-0281

Gaskets	
Valve Cover Gasket	Cylinder Head Gasket
G-0733	G-0281

SERIES	VALVE	SEAT	SPRING	URETHANE INSERT	PULLER HEAD
P-4 WEB	U5B-05	5DD-B1	5710-111	UDD-5B	1700-5
P-FULL OPEN	5DFO-V1	5DFO-S1	5710-030	5DFO-SI	1700-5FO
P-DOUBLE ANGLE	0500117	0508623	05147900	0515844	1700-5BA
P-PLATE TYPE	0504991	0508623	05144230	0504888	1700-5BA

Piston Size	Red Thunder Bonded Pistons	Imperial Piston	Imperial Rubber Kits	Rubber Bonded	Long Life (Urethane)
4"	RT-400	I40HK14/15	I40HK	RB-400	LL-400
4½"	RT-440	I44HK14/15	I44HK	RB-440	LL-440
5"	RT-500	I50HB14/15	I50HB	RB-500	LL-500
5½"	RT-540	I54HB14/15	I54HB	RB-540	LL-540
6"	RT-600	I60HB14/15	I60HB	RB-600	LL-600
6½"	RT-640	I64HL14/15	I64HL	RB-640	LL-640

\* ¼ Size are available upon request

RODS					
	PISTON ROD	SUB ROD	EXTENSION ROD	ROD CLAMP	PISTON ROD NUT
<b>PART NO.</b>	0151	N/A	16-0141	24-0147	7403364



# MUD PUMP EXPENDABLES TRIPLEX FLUID END PARTS

## EMSCO

**6<sup>3</sup>/<sub>4</sub> × 9**

**F-800**

Liners & Liner Packing		
SIZES	LINER	LINER PACKING
4"	0148-40	G-0282
4½"	0148-44	G-0282
5"	0148-50	G-0282
5½"	0148-54	G-0282
6"	0148-60	G-0282
6¼"	0148-62	G-0282
6½"	0148-64	G-0282

Gaskets	
Valve Cover Gasket	Cylinder Head Gasket
G-0740	G-0282

SERIES	VALVE	SEAT	SPRING	URETHANE INSERT	PULLER HEAD
P-4 WEB	U5B-EH	6ADD-B6	5710-111	UDD-6AB	1700-6
P-4 WEB HIGH TEMP	U5B-EHHT	6ADD-B6	5710-111	UDD-6ABHT	1700-6
P-FULL OPEN	6FO-V1	6FO-S6	5710-115	6FO-SI	1700-6FO
P-G2	1560995	1561380	1560701	1560587	1700-6G2
P-ROUGHNECK	RN6-V1	RN6-S6	5710-110L	RN6-I	1700-6FO
P-SW FULL OPEN	773-1	873-2	951	973	1700-6SW
P-DOUBLE ANGLE	0500119	0520008	05139890	0515845	1700-6BA
P-PLATE TYPE	0505038	0520008	05139880	0504890	1700-6BA

Piston Size	Red Thunder Bonded Pistons	Imperial Piston	Imperial Rubber Kits	Rubber Bonded	Long Life (Urethane)
4"	RT-400	I40HK14/15	I40HK	RB-400	LL-400
4½"	RT-440	I44HK14/15	I44HK	RB-440	LL-440
5"	RT-500	I50HB14/15	I50HB	RB-500	LL-500
5½"	RT-540	I54HB14/15	I54HB	RB-540	LL-540
6"	RT-600	I60HB14/15	I60HB	RB-600	LL-600
6½"	RT-640	I64HL14/15	I64HL	RB-640	LL-640

\* ¼ Size are available upon request

RODS					
	PISTON ROD	SUB ROD	EXTENSION ROD	ROD CLAMP	PISTON ROD NUT
<b>PART NO.</b>	0150	N/A	16-0150	24-0150	7403364



# MUD PUMP EXPENDABLES TRIPLEX FLUID END PARTS

## EMSCO

**6<sup>3</sup>/<sub>4</sub> × 10**

**F-1000**

Liners & Liner Packing		
SIZES	LINER	LINER PACKING
4"	0148-40	G-0282
4½"	0148-44	G-0282
5"	0148-50	G-0282
5½"	0148-54	G-0282
6"	0148-60	G-0282
6¼"	0148-62	G-0282
6½"	0148-64	G-0282

Gaskets	
Valve Cover Gasket	Cylinder Head Gasket
G-0740	G-0282

SERIES	VALVE	SEAT	SPRING	URETHANE INSERT	PULLER HEAD
P-4 WEB	U5B-EH	6ADD-B6	5710-111	UDD-6AB	1700-6
P-4 WEB HIGH TEMP	U5B-EHHT	6ADD-B6	5710-111	UDD-6ABHT	1700-6
P-FULL OPEN	6FO-V1	6FO-S6	5710-115	6FO-SI	1700-6FO
P-G2	1560995	1561380	1560701	1560587	1700-6G2
P-ROUGHNECK	RN6-V1	RN6-S6	5710-110L	RN6-I	1700-6FO
P-SW FULL OPEN	773-1	873-2	951	973	1700-6SW
P-DOUBLE ANGLE	0500119	0520008	05139890	0515845	1700-6BA
P-PLATE TYPE	0505038	0520008	05139880	0504890	1700-6BA

Piston Size	Red Thunder Bonded Pistons	Imperial Piston	Imperial Rubber Kits	Rubber Bonded	Long Life (Urethane)
4"	RT-400	I40HK14/15	I40HK	RB-400	LL-400
4½"	RT-440	I44HK14/15	I44HK	RB-440	LL-440
5"	RT-500	I50HB14/15	I50HB	RB-500	LL-500
5½"	RT-540	I54HB14/15	I54HB	RB-540	LL-540
6"	RT-600	I60HB14/15	I60HB	RB-600	LL-600
6½"	RT-640	I64HL14/15	I64HL	RB-640	LL-640

\* ¼ Size are available upon request

RODS					
	PISTON ROD	SUB ROD	EXTENSION ROD	ROD CLAMP	PISTON ROD NUT
<b>PART NO.</b>	0148	N/A	16-0148	24-0148	7403364





# MUD PUMP EXPENDABLES TRIPLEX FLUID END PARTS

## EMSCO

**7½ × 12**

**FB-1300**

Liners & Liner Packing		
SIZES	LINER	LINER PACKING
4"	2145-40	G-0800
4½"	2145-44	G-0800
5"	2145-50	G-0800
5½"	2145-54	G-0800
6"	2145-60	G-0800
6¼"	2145-62	G-0800
6½"	2145-64	G-0800
6¾"	2145-66	G-0800
7"	2145-70	G-0800
7½"	2145-74	G-0800

Gaskets	
Valve Cover Gasket	Cylinder Head Gasket
G-0741	G-0801

SERIES	VALVE	SEAT	SPRING	URETHANE INSERT	PULLER HEAD
P-4 WEB	U5C-EEF	7DD-B1	5710-115	UDD-7B	1700-7
P-4 WEB HIGH TEMP	U5C-EEFHT	7DD-B1	5710-115	UDD-7BHT	1700-7
P-FULL OPEN	7FO-V1	7FO-S1	5710-115L	7FO-SI	1700-7FO
P-G2	1560985	1561370	1560702	1560557	1700-7G2
P-3 WEB	202PZL482A	202PZL039	5710-115	201PZL106	1700-7R
P-ROUGHNECK	RN7-V1	RN7-S1	5710-115L	RN7-I	1700-7FO
P-SW FULL OPEN	777-7	877-7	951	977	1700-7SW
P-DOUBLE ANGLE	0500110	0509309	05139890	0514275	1700-7BA
P-PLATE TYPE	0505062	0509309	05139880	0504893	1700-7BA

Piston Size	Red Thunder Bonded Pistons	Imperial Piston	Imperial Rubber Kits	Rubber Bonded	Long Life (Urethane)
4"	RT-400	I40HK14/15	I40HK	RB-400	LL-400
4½"	RT-440	I44HK14/15	I44HK	RB-440	LL-440
5"	RT-500	I50HB14/15	I50HB	RB-500	LL-500
5½"	RT-540	I54HB14/15	I54HB	RB-540	LL-540
6"	RT-600	I60HB14/15	I60HB	RB-600	LL-600
6½"	RT-640	I64HL14/15	I64HL	RB-640	LL-640
7"	RT-700	I70HL14/15	I70HL	RB-700	LL-700
7½"	N/A	I74HL14/15	I74HL	N/A	N/A

\* ¼ Size are available upon request

RODS					
	PISTON ROD	SUB ROD	EXTENSION ROD	ROD CLAMP	PISTON ROD NUT
<b>PART NO.</b>	2145	N/A	16-0145	24-0145	7403364



# MUD PUMP EXPENDABLES TRIPLEX FLUID END PARTS

## EMSCO

**7½ × 12**

**FB-1600**

Liners & Liner Packing		
SIZES	LINER	LINER PACKING
4"	2145-40	G-0800
4½"	2145-44	G-0800
5"	2145-50	G-0800
5½"	2145-54	G-0800
6"	2145-60	G-0800
6¼"	2145-62	G-0800
6½"	2145-64	G-0800
6¾"	2145-66	G-0800
7"	2145-70	G-0800
7½"	2145-74	G-0800

Gaskets	
Valve Cover Gasket	Cylinder Head Gasket
G-0741	G-0801

SERIES	VALVE	SEAT	SPRING	URETHANE INSERT	PULLER HEAD
P-4 WEB	U5C-EEF	7DD-B1	5710-115	UDD-7B	1700-7
P-4 WEB HIGH TEMP	U5C-EEFHT	7DD-B1	5710-115	UDD-7BHT	1700-7
P-FULL OPEN	7FO-V1	7FO-S1	5710-115L	7FO-SI	1700-7FO
P-G2	1560985	1561370	1560702	1560557	1700-7G2
P-3 WEB	202PZL482A	202PZL039	5710-115	201PZL106	1700-7R
P-ROUGHNECK	RN7-V1	RN7-S1	5710-115L	RN7-I	1700-7FO
P-SW FULL OPEN	777-7	877-7	951	977	1700-7SW
P-DOUBLE ANGLE	0500110	0509309	05139890	0514275	1700-7BA
P-PLATE TYPE	0505062	0509309	05139880	0504893	1700-7BA

Piston Size	Red Thunder Bonded Pistons	Imperial Piston	Imperial Rubber Kits	Rubber Bonded	Long Life (Urethane)
4"	RT-400	I40HK14/15	I40HK	RB-400	LL-400
4½"	RT-440	I44HK14/15	I44HK	RB-440	LL-440
5"	RT-500	I50HB14/15	I50HB	RB-500	LL-500
5½"	RT-540	I54HB14/15	I54HB	RB-540	LL-540
6"	RT-600	I60HB14/15	I60HB	RB-600	LL-600
6½"	RT-640	I64HL14/15	I64HL	RB-640	LL-640
7"	RT-700	I70HL14/15	I70HL	RB-700	LL-700
7½"	N/A	I74HL14/15	I74HL	N/A	N/A

\* ¼ Size are available upon request

RODS					
	PISTON ROD	SUB ROD	EXTENSION ROD	ROD CLAMP	PISTON ROD NUT
<b>PART NO.</b>	2145	N/A	16-0145	24-0145	7403364



# MUD PUMP EXPENDABLES TRIPLEX FLUID END PARTS

## OPI

**7 x 8**

**700HDL**

Liners & Liner Packing		
SIZES	LINER	LINER PACKING
4"	0481-40	G-0753
4½"	0481-44	G-0754
5"	0481-50	G-0742
5½"	0481-54	G-0743
6"	0481-60	G-0745
6½"	0481-64	G-0746
7"	0481-70	G-0756

Gaskets	
Valve Cover Gasket	Cylinder Head Gasket
G-0745	G-0745

SERIES	VALVE	SEAT	SPRING	URETHANE INSERT	PULLER HEAD
P-4 WEB	U5B-EH	6ADD-B6	5710-115	UDD-6AB	1700-6
P-4 WEB HIGH TEMP	U5B-EHHT	6ADD-B6	5710-115	UDD-6ABHT	1700-6
P-FULL OPEN	6FO-V1	6FO-S6	5710-115	6FO-SI	1700-6FO
P-G2	1560995	1561380	1560701	1560587	1700-6G2
P-ROUGHNECK	RN6-V1	RN6-S6	5710-115	RN6-I	1700-6FO

Piston Size	Red Thunder Bonded Pistons	Imperial Piston	Imperial Rubber Kits	Rubber Bonded	Long Life (Urethane)
4½"	RT-440	I44HK14/15	I44HK	RB-440	LL-440
5"	RT-500	I50HB14/15	I50HB	RB-500	LL-500
5½"	RT-540	I54HB14/15	I54HB	RB-540	LL-540
6"	RT-600	I60HB14/15	I60HB	RB-600	LL-600
6½"	RT-640	I64HL14/15	I64HL	RB-640	LL-640
7"	RT-700	I70HL14/15	I70HL	RB-700	LL-700

\* ¼ Size are available upon request

RODS						
	PISTON ROD	SUB ROD	EXTENSION ROD	EXTENSION ROD CLAMP	PISTON ROD CLAMP	PISTON ROD NUT
CLAMP TYPE	0482	0482-B	16-0481	24-0481	24-0482	7403364
THREAD TYPE	0481	0481-B	16-0481	N/A	N/A	7403364



# MUD PUMP EXPENDABLES TRIPLEX FLUID END PARTS

## GARDNER DENVER

5 x 8

PAH (All Models), PJ8A

Liners & Liner Packing			
SIZES	LINER (Small OD)	LINER PACKING	LINER (Large OD)
3"	0189-30	G-0266	
3½"	0189-34	G-0266	0193-34
4"	0189-40	G-0266	0193-40
4½"	0189-44	G-0266	0193-44
5"		G-0266	0193-50

Gaskets	
Valve Cover Gasket	Cylinder Head Gasket
G-0799	G-0799

SERIES	VALVE	SEAT	SPRING	URETHANE INSERT	PULLER HEAD
P-FULL OPEN	4DFO-V1	4FFO-S5	5710-033	4FFO-SI	1700-4FO
P-3 WEB	PJ482A	PJ451	5710-078	PJ452	1700-4GD

Piston Size	Red Thunder Bonded Pistons	Imperial Piston	Imperial Rubber Kits	Rubber Bonded	Long Life (Urethane)
3"	N/A		I30HA	N/A	N/A
3½"	N/A	I34HK14/15	I34HK	N/A	N/A
4"	RT-400	I40HK14/15	I40HK	RB-400	LL-400
4½"	RT-440	I44HK14/15	I44HK	RB-440	LL-440
5"	RT-500	I50HB14/15	I50HB	RB-500	LL-500

\* ¼ Size are available upon request

RODS					
	PISTON ROD	SUB ROD	EXTENSION ROD	ROD CLAMP	PISTON ROD NUT
CLAMP TYPE.	0193	N/A	16-0192	24-0191	7403364



# MUD PUMP EXPENDABLES TRIPLEX FLUID END PARTS

## GARDNER DENVER TEE, TGE

**4 x 5**

Liners & Liner Packing		
SIZES	LINER	LINER PACKING
3"	1190-30	G-0174
3½"	1190-34	G-0174
4"	1190-40	G-0174

Gaskets	
Valve Cover Gasket	Cylinder Head Gasket
25AL20	25AL20

	ABRASION RESISTANT
VALVE ASSEMBLY	209TEE482 (Includes Valve Body, Cage, Spring and Insert)
INSERT	ARI-10
SPRING	2116523
VALVE SEAT PULLER HEAD	1700-16SN

Piston Size	Red Thunder Bonded Pistons	Imperial Piston	Imperial Rubber Kits	Rubber Bonded	Long Life (Urethane)
3"	N/A	I30HA10	I30HA	N/A	N/A
3½"	N/A	I34HK10	I34HK	N/A	N/A
4"	RT-400-10	I40HK10	I40HK	RB-400-10	LL-400-10

\* ¼ Size are available upon request

RODS					
	PISTON ROD	SUB ROD	EXTENSION ROD	ROD CLAMP	PISTON ROD NUT
<b>PART NO.</b>	0204	N/A	300TEE839	201TAE092A	7403224



# MUD PUMP EXPENDABLES TRIPLEX FLUID END PARTS

## GARDNER DENVER

7 x 7

PZ-GA & GB

PZ-7

Liners & Liner Packing		
SIZES	LINER	LINER PACKING
4"	1192-40	G-0692
4½"	1192-44	G-0692
5"	1192-50	G-0692
5½"	1192-54	G-0692
6"	1192-60	G-0692
6¼"	1192-62	G-0692
6½"	1192-64	G-0692
6¾"	1192-66	G-0692
7"	1192-70	G-0692

Gaskets	
Valve Cover Gasket	Cylinder Head Gasket
G-0749	G-0749

SERIES	VALVE	SEAT	SPRING	URETHANE INSERT	PULLER HEAD
P-4 WEB	U5C-EEF	7DD-B1	5710-110	UDD-7B	1700-7
P-4 WEB HIGH TEMP	U5C-EEFHT	7DD-B1	5710-110	UDD-7BHT	1700-7
P-FULL OPEN	7FO-V1	7FO-S1	5710-115L	7FO-SI	1700-7FO
P-G2	1560985	1561370	1560702	1560557	1700-7G2
P-3 WEB	202PZL482A	202PZL039	5710-110	201PZL106	1700-7R
P-ROUGHNECK	RN7-V1	RN7-S1	5710-110L	RN7-I	1700-7FO
P-SW FULL OPEN	777-7	877-7	951	977	1700-7SW
P-DOUBLE ANGLE	0500110	0509309	05147900	0514275	1700-7BA
P-PLATE TYPE	0505062	0509309	05144230	0504893	1700-7BA

Piston Size	Red Thunder Bonded Pistons	Imperial Piston	Imperial Rubber Kits	Rubber Bonded	Long Life (Urethane)
4"	RT-400	I40HK14/15	I40HB	RB-400	LL-400
4½"	RT-440	I44HK14/15	I44HB	RB-440	LL-440
5"	RT-500	I50HB14/15	I50HB	RB-500	LL-500
5½"	RT-540	I54HB14/15	I54HB	RB-540	LL-540
6"	RT-600	I60HB14/15	I60HB	RB-600	LL-600
6½"	RT-640	I64HL14/15	I64HL	RB-640	LL-640
7"	RT-700	I70HL14/15	I70HL	RB-700	LL-700

\* ¼ Size are available upon request

RODS					
	PISTON ROD	SUB ROD	EXTENSION ROD	ROD CLAMP	PISTON ROD NUT
CLAMP TYPE	0205	N/A	16-0205	24-0191	7403364
THREAD TYPE	0196	N/A	16-0196	N/A	7403364



# MUD PUMP EXPENDABLES TRIPLEX FLUID END PARTS

## GARDNER DENVER

**7 x 8**

**PZ-H-E,VE**

**PZ-8**

Liners & Liner Packing		
SIZES	LINER	LINER PACKING
4"	1191-40	G-0692
4½"	1191-44	G-0692
5"	1191-50	G-0692
5½"	1191-54	G-0692
6"	1191-60	G-0692
6¼"	1191-62	G-0692
6½"	1191-64	G-0692
6¾"	1191-66	G-0692
7"	1191-70	G-0692

Gaskets	
Valve Cover Gasket	Cylinder Head Gasket
G-0749	G-0749

SERIES	VALVE	SEAT	SPRING	URETHANE INSERT	PULLER HEAD
P-4 WEB	U5C-EEF	7DD-B1	5710-110	UDD-7B	1700-7
P-4 WEB HIGH TEMP	U5C-EEFHT	7DD-B1	5710-110	UDD-7BHT	1700-7
P-FULL OPEN	7FO-V1	7FO-S1	5710-115L	7FO-SI	1700-7FO
P-G2	1560985	1561370	1560702	1560557	1700-7G2
P-3 WEB	202PZL482A	202PZL039	5710-110	201PZL106	1700-7R
P-ROUGHNECK	RN7-V1	RN7-S1	5710-110L	RN7-I	1700-7FO
P-SW FULL OPEN	777-7	877-7	951	977	1700-7SW
P-DOUBLE ANGLE	0500110	0509309	05147900	0514275	1700-7BA
P-PLATE TYPE	0505062	0509309	05144230	0504893	1700-7BA

Piston Size	Red Thunder Bonded Pistons	Imperial Piston	Imperial Rubber Kits	Rubber Bonded	Long Life (Urethane)
4"	RT-400	I40HK14/15	I40HK	RB-400	LL-400
4½"	RT-440	I44HK14/15	I44HK	RB-440	LL-440
5"	RT-500	I50HB14/15	I50HB	RB-500	LL-500
5½"	RT-540	I54HB14/15	I54HB	RB-540	LL-540
6"	RT-600	I60HB14/15	I60HB	RB-600	LL-600
6½"	RT-640	I64HL14/15	I64HL	RB-640	LL-640
7"	RT-700	I70HL14/15	I70HL	RB-700	LL-700

\* ¼ Size are available upon request

RODS					
	PISTON ROD	SUB ROD	EXTENSION ROD	ROD CLAMP	PISTON ROD NUT
CLAMP TYPE	0191	N/A	16-0192	24-0191	7403364
THREAD TYPE	0202	N/A	16-0196	N/A	7403364



# MUD PUMP EXPENDABLES TRIPLEX FLUID END PARTS

## GARDNER DENVER

**7 x 9**

**PZ-GA & GB**

**PZ-9**

Liners & Liner Packing		
SIZES	LINER	LINER PACKING
4"	1191-40	G-0692
4½"	1191-44	G-0692
5"	1191-50	G-0692
5½"	1191-54	G-0692
6"	1191-60	G-0692
6¼"	1191-62	G-0692
6½"	1191-64	G-0692
6¾"	1191-66	G-0692
7"	1191-70	G-0692

Gaskets	
Valve Cover Gasket	Cylinder Head Gasket
G-0749	G-0749

SERIES	VALVE	SEAT	SPRING	URETHANE INSERT	PULLER HEAD
P-4 WEB	U5C-EEF	7DD-B1	5710-110	UDD-7B	1700-7
P-4 WEB HIGH TEMP	U5C-EEFHT	7DD-B1	5710-110	UDD-7BHT	1700-7
P-FULL OPEN	7FO-V1	7FO-S1	5710-115L	7FO-SI	1700-7FO
P-G2	1560985	1561370	1560702	1560557	1700-7G2
P-3 WEB	202PZL482A	202PZL039	5710-110	201PZL106	1700-7R
P-ROUGHNECK	RN7-V1	RN7-S1	5710-110L	RN7-I	1700-7FO
P-SW FULL OPEN	777-7	877-7	951	977	1700-7SW
P-DOUBLE ANGLE	0500110	0509309	05147900	0514275	1700-7BA
P-PLATE TYPE	0505062	0509309	05144230	0504893	1700-7BA

Piston Size	Red Thunder Bonded Pistons	Imperial Piston	Imperial Rubber Kits	Rubber Bonded	Long Life (Urethane)
4"	RT-400	I40HK14/15	I40HK	RB-400	LL-400
4½"	RT-440	I44HK14/15	I44HK	RB-440	LL-440
5"	RT-500	I50HB14/15	I50HB	RB-500	LL-500
5½"	RT-540	I54HB14/15	I54HB	RB-540	LL-540
6"	RT-600	I60HB14/15	I60HB	RB-600	LL-600
6½"	RT-640	I64HL14/15	I64HL	RB-640	LL-640
7"	RT-700	I70HL14/15	I70HL	RB-700	LL-700

\* ¼ Size are available upon request

RODS					
	PISTON ROD	SUB ROD	EXTENSION ROD	ROD CLAMP	PISTON ROD NUT
CLAMP TYPE	0191	N/A	16-0191	24-0191	7403364
THREAD TYPE	0202	N/A	16-0201	N/A	7403364





# MUD PUMP EXPENDABLES TRIPLEX FLUID END PARTS

## GARDNER DENVER

**7 × 10**

**PZL**

**PZ-10**

Liners & Liner Packing		
SIZES	LINER	LINER PACKING
4"	0197-40	G-0692
4½"	0197-44	G-0692
5"	0197-50	G-0692
5½"	0197-54	G-0692
6"	0197-60	G-0692
6¼"	0197-62	G-0692
6½"	0197-64	G-0692
6¾"	0197-66	G-0692
7"	0197-70	G-0692

Gaskets	
Valve Cover Gasket	Cylinder Head Gasket
G-0780	G-0780

SERIES	VALVE	SEAT	SPRING	URETHANE INSERT	PULLER HEAD
P-4 WEB	U5C-EEF	7DD-B1	5710-110	UDD-7B	1700-7
P-4 WEB HIGH TEMP	U5C-EEFHT	7DD-B1	5710-110	UDD-7BHHT	1700-7
P-FULL OPEN	7FO-V1	7FO-S1	5710-115L	7FO-SI	1700-7FO
P-G2	1560985	1561370	1560702	1560557	1700-7G2
P-3 WEB	202PZL482A	202PZL039	5710-110	201PZL106	1700-7R
P-ROUGHNECK	RN7-V1	RN7-S1	5710-110L	RN7-I	1700-7FO
P-SW FULL OPEN	777-7	877-7	951	977	1700-7SW
P-DOUBLE ANGLE	0500110	0509309	05147900	0514275	1700-7BA
P-PLATE TYPE	0505062	0509309	05144230	0504893	1700-7BA

Piston Size	Red Thunder Bonded Pistons	Imperial Piston	Imperial Rubber Kits	Rubber Bonded	Long Life (Urethane)
4"	RT-400	I40HK14/15	I40HK	RB-400	LL-400
4½"	RT-440	I44HK14/15	I44HK	RB-440	LL-440
5"	RT-500	I50HB14/15	I50HB	RB-500	LL-500
5½"	RT-540	I54HB14/15	I54HB	RB-540	LL-540
6"	RT-600	I60HB14/15	I60HB	RB-600	LL-600
6½"	RT-640	I64HL14/15	I64HL	RB-640	LL-640
7"	RT-700	I70HL14/15	I70HL	RB-700	LL-700

\* ¼ Size are available upon request

RODS					
	PISTON ROD	SUB ROD	EXTENSION ROD	ROD CLAMP	PISTON ROD NUT
CLAMP TYPE	0200	N/A	16-0200	24-0200	7403364
THREAD TYPE	0201	N/A	16-0201	N/A	7403364



# MUD PUMP EXPENDABLES TRIPLEX FLUID END PARTS

## GARDNER DENVER

**7 × 11**

**PZL**

**PZ-11**

Liners & Liner Packing		
SIZES	LINER	LINER PACKING
4"	0197-40	G-0692
4½"	0197-44	G-0692
5"	0197-50	G-0692
5½"	0197-54	G-0692
6"	0197-60	G-0692
6¼"	0197-62	G-0692
6½"	0197-64	G-0692
6¾"	0197-66	G-0692
7"	0197-70	G-0692

Gaskets	
Valve Cover Gasket	Cylinder Head Gasket
G-0780	G-0780

SERIES	VALVE	SEAT	SPRING	URETHANE INSERT	PULLER HEAD
P-4 WEB	U5C-EEF	7DD-B1	5710-110	UDD-7B	1700-7
P-4 WEB HIGH TEMP	U5C-EEFHT	7DD-B1	5710-110	UDD-7BHT	1700-7
P-FULL OPEN	7FO-V1	7FO-S1	5710-115L	7FO-SI	1700-7FO
P-G2	1560985	1561370	1560702	1560557	1700-7G2
P-3 WEB	202PZL482A	202PZL039	5710-110	201PZL106	1700-7R
P-ROUGHNECK	RN7-V1	RN7-S1	5710-110L	RN7-I	1700-7FO
P-SW FULL OPEN	777-7	877-7	951	977	1700-7SW
P-DOUBLE ANGLE	500110	509309	5147900	514275	1700-7BA
P-PLATE TYPE	505062	509309	5144230	504893	1700-7BA

Piston Size	Red Thunder Bonded Pistons	Imperial Piston	Imperial Rubber Kits	Rubber Bonded	Long Life (Urethane)
4"	RT-400	I40HK14/15	I40HK	RB-400	LL-400
4½"	RT-440	I44HK14/15	I44HK	RB-440	LL-440
5"	RT-500	I50HB14/15	I50HB	RB-500	LL-500
5½"	RT-540	I54HB14/15	I54HB	RB-540	LL-540
6"	RT-600	I60HB14/15	I60HB	RB-600	LL-600
6½"	RT-640	I64HL14/15	I64HL	RB-640	LL-640
7"	RT-700	I70HL14/15	I70HL	RB-700	LL-700

\* ¼ Size are available upon request

RODS					
	PISTON ROD	SUB ROD	EXTENSION ROD	ROD CLAMP	PISTON ROD NUT
CLAMP TYPE	200	N/A	16-0200	24-0200	7403364
THREAD TYPE	201	N/A	16-0201	N/A	7403364



# MUD PUMP EXPENDABLES TRIPLEX FLUID END PARTS

## IDECO

**7 × 8**

**T-500**

Liners & Liner Packing		
SIZES	LINER	LINER PACKING
4"	0234-40	MKG-0783
4½"	0234-44	MKG-0783
5"	0234-50	MKG-0783
5½"	0234-54	MKG-0783
6"	0234-60	MKG-0783
6¼"	0234-62	MKG-0783
6½"	0234-64	MKG-0783
6¾"	0234-66	MKG-0783
7"	0234-70	MKG-0783

Gaskets	
Valve Cover Gasket	Cylinder Head Gasket
G-0783	G-0783

SERIES	VALVE	SEAT	SPRING	URETHANE INSERT	PULLER HEAD
P-4 WEB	U5B-EH	6ADD-B6	5710-115	UDD-6AB	1700-6
P-4 WEB HIGH TEMP	U5B-EHHT	6ADD-B6	5710-115	UDD-6ABHT	1700-6
P-FULL OPEN	6FO-V1	6FO-S6	5710-115L	6FO-SI	1700-6FO
P-G2	1560995	1561380	1560701	1560587	1700-6G2
P-ROUGHNECK	RN6-V1	RN6-S6	5710-115L	RN6-I	1700-6FO
P-SW FULL OPEN	773-1	873-2	950	973	1700-6SW
P-DOUBLE ANGLE	0500119	0520008	05147900	0515845	1700-6BA
P-PLATE TYPE	0505038	0520008	05144230	0504890	1700-6BA

Piston Size	Red Thunder Bonded Pistons	Imperial Piston	Imperial Rubber Kits	Rubber Bonded	Long Life (Urethane)
4"	RT-400	I40HK14/15	I40HK	RB-400	LL-400
4½"	RT-440	I44HK14/15	I44HK	RB-440	LL-440
5"	RT-500	I50HB14/15	I50HB	RB-500	LL-500
5½"	RT-540	I54HB14/15	I54HB	RB-540	LL-540
6"	RT-600	I60HB14/15	I60HB	RB-600	LL-600
6½"	RT-640	I64HL14/15	I64HL	RB-640	LL-640
7"	RT-700	I70HL14/15	I70HL	RB-700	LL-700

\* ¼ Size are available upon request

RODS					
	PISTON ROD	SUB ROD	EXTENSION ROD	ROD CLAMP	PISTON ROD NUT
<b>PART NO</b>	0237	N/A	16-0237	24-0237	7403364



# MUD PUMP EXPENDABLES TRIPLEX FLUID END PARTS

## IDECO

**7 x 9**

**T-800**

Liners & Liner Packing		
SIZES	LINER	LINER PACKING
4"	0230-40	G-0783
4½"	0230-44	G-0783
5"	0230-50	G-0783
5½"	0230-54	G-0783
6"	0230-60	G-0783
6¼"	0230-62	G-0783
6½"	0230-64	G-0783
6¾"	0230-66	G-0783
7"	0230-70	G-0783

Gaskets	
Valve Cover Gasket	Cylinder Head Gasket
G-0783	G-0783

SERIES	VALVE	SEAT	SPRING	URETHANE INSERT	PULLER HEAD
P-4 WEB	U5B-EH	6ADD-B6	5710-115	UDD-6AB	1700-6
P-4 WEB HIGH TEMP	U5B-EHHT	6ADD-B6	5710-115	UDD-6ABHT	1700-6
P-FULL OPEN	6FO-V1	6FO-S6	5710-115L	6FO-SI	1700-6FO
P-G2	1560995	1561380	1560701	1560587	1700-6G2
P-ROUGHNECK	RN6-V1	RN6-S6	5710-115L	RN6-I	1700-6FO
P-SW FULL OPEN	773-1	873-2	950	973	1700-6SW
P-DOUBLE ANGLE	0500119	0520008	05147900	0515845	1700-6BA
P-PLATE TYPE	0505038	0520008	05144230	0504890	1700-6BA

Piston Size	Red Thunder Bonded Pistons	Imperial Piston	Imperial Rubber Kits	Rubber Bonded	Long Life (Urethane)
4"	RT-400	I40HK14/15	I40HK	RB-400	LL-400
4½"	RT-440	I44HK14/15	I44HK	RB-440	LL-440
5"	RT-500	I50HB14/15	I50HB	RB-500	LL-500
5½"	RT-540	I54HB14/15	I54HB	RB-540	LL-540
6"	RT-600	I60HB14/15	I60HB	RB-600	LL-600
6½"	RT-640	I64HL14/15	I64HL	RB-640	LL-640
7"	RT-700	I70HL14/15	I70HL	RB-700	LL-700

\* ¼ Size are available upon request

RODS					
	PISTON ROD	SUB ROD	EXTENSION ROD	ROD CLAMP	PISTON ROD NUT
<b>PART NO</b>	0230	N/A	16-0230	24-0230	7403364



# MUD PUMP EXPENDABLES TRIPLEX FLUID END PARTS

## IDECO

**7 x 10**

**T-1000**

Liners & Liner Packing		
SIZES	LINER	LINER PACKING
4"	0230-40	G-0783
4½"	0230-44	G-0783
5"	0230-50	G-0783
5½"	0230-54	G-0783
6"	0230-60	G-0783
6¼"	0230-62	G-0783
6½"	0230-64	G-0783
6¾"	0230-66	G-0783
7"	0230-70	G-0783

Gaskets	
Valve Cover Gasket	Cylinder Head Gasket
G-0783	G-0783

SERIES	VALVE	SEAT	SPRING	URETHANE INSERT	PULLER HEAD
P-4 WEB	U5B-EH	6ADD-B6	5710-115	UDD-6AB	1700-6
P-4 WEB HIGH TEMP	U5B-EHHT	6ADD-B6	5710-115	UDD-6ABHT	1700-6
P-FULL OPEN	6FO-V1	6FO-S6	5710-115L	6FO-SI	1700-6FO
P-G2	1560995	1561380	1560701	1560587	1700-6G2
P-ROUGHNECK	RN6-V1	RN6-S6	5710-115L	RN6-I	1700-6FO
P-SW FULL OPEN	773-1	873-2	950	973	1700-6SW
P-DOUBLE ANGLE	0500119	0520008	05147900	0515845	1700-6BA
P-PLATE TYPE	0505038	0520008	05144230	0504890	1700-6BA

Piston Size	Red Thunder Bonded Pistons	Imperial Piston	Imperial Rubber Kits	Rubber Bonded	Long Life (Urethane)
4"	RT-400	I40HK14/15	I40HK	RB-400	LL-400
4½"	RT-440	I44HK14/15	I44HK	RB-440	LL-440
5"	RT-500	I50HB14/15	I50HB	RB-500	LL-500
5½"	RT-540	I54HB14/15	I54HB	RB-540	LL-540
6"	RT-600	I60HB14/15	I60HB	RB-600	LL-600
6½"	RT-640	I64HL14/15	I64HL	RB-640	LL-640
7"	RT-700	I70HL14/15	I70HL	RB-700	LL-700

\* ¼ Size are available upon request

RODS					
	PISTON ROD	SUB ROD	EXTENSION ROD	ROD CLAMP	PISTON ROD NUT
<b>PART NO.</b>	0230	N/A	16-0231	24-0230	7403364



# MUD PUMP EXPENDABLES TRIPLEX FLUID END PARTS

## IDECO

**7½ × 12**

**T-1300**

Liners & Liner Packing		
SIZES	LINER	LINER PACKING
4"	0233-40	G-0782
4½"	0233-44	G-0782
5"	0233-50	G-0782
5½"	0233-54	G-0782
6"	0233-60	G-0782
6¼"	0233-62	G-0782
6½"	0233-64	G-0782
6¾"	0233-66	G-0782
7"	0233-70	G-0782
7½"	0233-74	G-0782

Gaskets	
Valve Cover Gasket	Cylinder Head Gasket
G-0782	G-0782

SERIES	VALVE	SEAT	SPRING	URETHANE INSERT	PULLER HEAD
P-4 WEB	U5C-EEF	7DD-B1	5710-115	UDD-7B	1700-7
P-4 WEB HIGH TEMP	U5C-EEFHT	7DD-B1	5710-115	UDD-7BHT	1700-7
P-FULL OPEN	7FO-V1	7FO-S1	5710-115L	7FO-SI	1700-7FO
P-G2	1560985	1561370	1560702	1560557	1700-7G2
P-3 WEB	202PZL482A	202PZL039	5710-115	201PZL106	1700-7R
P-ROUGHNECK	RN7-V1	RN7-S1	5710-115L	RN7-I	1700-7FO
P-SW FULL OPEN	777-7	877-7	951	977	1700-7SW
P-DOUBLE ANGLE	0500110	0509309	05147900	0514275	1700-7BA

Piston Size	Red Thunder Bonded Pistons	Imperial Piston	Imperial Rubber Kits	Rubber Bonded	Long Life (Urethane)
4"	RT-400	I40HK14/15	I40HK	RB-400	LL-400
4½"	RT-440	I44HK14/15	I44HK	RB-440	LL-440
5"	RT-500	I50HB14/15	I50HB	RB-500	LL-500
5½"	RT-540	I54HB14/15	I54HB	RB-540	LL-540
6"	RT-600	I60HB14/15	I60HB	RB-600	LL-600
6½"	RT-640	I64HL14/15	I64HL	RB-640	LL-640
7"	RT-700	I70HL14/15	I70HL	RB-700	LL-700
7½"	N/A	I74HL14/15	I74HL	RB-740	LL-740

\* ¼ Size are available upon request

RODS					
	PISTON ROD	SUB ROD	EXTENSION ROD	ROD CLAMP	PISTON ROD NUT
<b>PART NO.</b>	0233	N/A	16-0233	24-0233	7403364



# MUD PUMP EXPENDABLES TRIPLEX FLUID END PARTS

## IDECO

**7½ × 12**

**T-1600**

Liners & Liner Packing		
SIZES	LINER	LINER PACKING
4"	0233-40	G-0782
4½"	0233-44	G-0782
5"	0233-50	G-0782
5½"	0233-54	G-0782
6"	0233-60	G-0782
6¼"	0233-62	G-0782
6½"	0233-64	G-0782
6¾"	0233-66	G-0782
7"	0233-70	G-0782
7½"	0233-74	G-0782

Gaskets	
Valve Cover Gasket	Cylinder Head Gasket
G-0782	G-0782

SERIES	VALVE	SEAT	SPRING	URETHANE INSERT	PULLER HEAD
P-4 WEB	U5C-EEF	7DD-B1	5710-115	UDD-7B	1700-7
P-4 WEB HIGH TEMP	U5C-EEFHT	7DD-B1	5710-115	UDD-7BHT	1700-7
P-FULL OPEN	7FO-V1	7FO-S1	5710-115L	7FO-SI	1700-7FO
P-G2	1560985	1561370	1560702	1560557	1700-7G2
P-3 WEB	202PZL482A	202PZL039	5710-115	201PZL106	1700-7R
P-ROUGHNECK	RN7-V1	RN7-S1	5710-115L	RN7-I	1700-7FO
P-SW FULL OPEN	777-7	877-7	951	977	1700-7SW
P-DOUBLE ANGLE	0500110	0509309	05147900	0514275	1700-7BA
P-PLATE TYPE	0505062	0509309	05144230	0504893	1700-7BA

Piston Size	Red Thunder Bonded Pistons	Imperial Piston	Imperial Rubber Kits	Rubber Bonded	Long Life (Urethane)
4"	RT-400	I40HK14/15	I40HK	RB-400	LL-400
4½"	RT-440	I44HK14/15	I44HK	RB-440	LL-440
5"	RT-500	I50HB14/15	I50HB	RB-500	LL-500
5½"	RT-540	I54HB14/15	I54HB	RB-540	LL-540
6"	RT-600	I60HB14/15	I60HB	RB-600	LL-600
6½"	RT-640	I64HL14/15	I64HL	RB-640	LL-640
7"	RT-700	I70HL14/15	I70HL	RB-700	LL-700
7½"	N/A	I74HL14/15	I74HL	RB-740	LL-740

\* ¼ Size are available upon request

RODS					
	PISTON ROD	SUB ROD	EXTENSION ROD	ROD CLAMP	PISTON ROD NUT
<b>PART NO.</b>	233	N/A	16-0233	24-0233	7403364



# MUD PUMP EXPENDABLES TRIPLEX FLUID END PARTS

## OILWELL

**7 x 8**

**A-560-PT**

Liners & Liner Packing		
SIZES	LINER	LINER PACKING
4"	0287-40	G-0753
4½"	0287-44	G-0754
5"	0287-50	G-0742
5½"	0287-54	G-0743
6"	0287-60	G-0745
6¼"	0287-62	G-0770
6½"	0287-64	G-0746
6¾"	0287-66	G-0755
7"	0287-70	G-0756

Gaskets	
Valve Cover Gasket	Cylinder Head Gasket
G-0732	N/A

SERIES	VALVE	SEAT	SPRING	URETHANE INSERT	PULLER HEAD
P-4 WEB	U5B-EH	6ADD-B6	5710-115	UDD-6AB	1700-6
P-4 WEB HIGH TEMP	U5B-EHHT	6ADD-B6	5710-115	UDD-6ABHT	1700-6
P-FULL OPEN	6FO-V1	6FO-S6	5710-115L	6FO-SI	1700-6FO
P-G2	1560995	1561380	1560701	1560587	1700-6G2
P-ROUGHNECK	RN6-V1	RN6-S6	5710-115L	RN6-I	1700-6FO

Piston Size	Red Thunder Bonded Pistons	Imperial Piston	Imperial Rubber Kits	Rubber Bonded	Long Life (Urethane)
4"	RT-400	I40HK14/15	I40HK	RB-400	LL-400
4½"	RT-440	I44HK14/15	I44HK	RB-440	LL-440
5"	RT-500	I50HB14/15	I50HB	RB-500	LL-500
5½"	RT-540	I54HB14/15	I54HB	RB-540	LL-540
6"	RT-600	I60HB14/15	I60HB	RB-600	LL-600
6½"	RT-640	I64HL14/15	I64HL	RB-640	LL-640
7"	RT-700	I70HL14/15	I70HL	RB-700	LL-700

\* ¼ Size are available upon request

RODS						
	PISTON ROD	SUB ROD	CONNECTING ROD	EXTENSION ROD	ROD CLAMP	PISTON ROD NUT
<b>PART NO.</b>	0283-C	0283-A	0283-D	16-0283	24-0283	7403364





# MUD PUMP EXPENDABLES TRIPLEX FLUID END PARTS

## OILWELL

**7 x 8**

**A-350/600-PT**

Liners & Liner Packing		
SIZES	LINER	LINER PACKING
4"	0287-40	G-0753
4½"	0287-44	G-0754
5"	0287-50	G-0742
5½"	0287-54	G-0743
6"	0287-60	G-0745
6¼"	0287-62	G-0770
6½"	0287-64	G-0746
6¾"	0287-66	G-0755
7"	0287-70	G-0756

Gaskets	
Valve Cover Gasket	Cylinder Head Gasket
G-0732	N/A

SERIES	VALVE	SEAT	SPRING	URETHANE INSERT	PULLER HEAD
P-4 WEB	U5B-EH	6ADD-B6	5710-111	UDD-6AB	1700-6
P-4 WEB HIGH TEMP	U5B-EHHT	6ADD-B6	5710-111	UDD-6ABHT	1700-6
P-FULL OPEN	6FO-V1	6FO-S6	5710-115	6FO-SI	1700-6FO
P-G2	1560995	1561380	1560701	1560587	1700-6G2
P-ROUGHNECK	RN6-V1	RN6-S6	5710-111	RN6-I	1700-6FO

Piston Size	Red Thunder Bonded Pistons	Imperial Piston	Imperial Rubber Kits	Rubber Bonded	Long Life (Urethane)
4"	RT-400	I40HK14/15	I40HK	RB-400	LL-400
4½"	RT-440	I44HK14/15	I44HK	RB-440	LL-440
5"	RT-500	I50HB14/15	I50HB	RB-500	LL-500
5½"	RT-540	I54HB14/15	I54HB	RB-540	LL-540
6"	RT-600	I60HB14/15	I60HB	RB-600	LL-600
6½"	RT-640	I64HL14/15	I64HL	RB-640	LL-640
7"	RT-700	I70HL14/15	I70HL	RB-700	LL-700

\* ¼ Size are available upon request

RODS						
	PISTON ROD	SUB ROD	CONNECTING ROD	EXTENSION ROD	ROD CLAMP	PISTON ROD NUT
<b>PART NO.</b>	0283-C	0283-B	0283-D	16-0282	24-0284	7403364



# MUD PUMP EXPENDABLES TRIPLEX FLUID END PARTS

## OILWELL

**7 × 8**

**A-850-PT**

Liners & Liner Packing		
SIZES	LINER	LINER PACKING
4"	0289-40	G-0753
4½"	0289-44	G-0754
5"	0289-50	G-0742
5½"	0289-54	G-0743
6"	0289-60	G-0745
6¼"	0289-62	G-0770
6½"	0289-64	G-0746
6¾"	0289-66	G-0755
7"	0289-70	G-0756
7¼"	0289-72	G-0757
7½"	0289-74	G-0758

Gaskets	
Valve Cover Gasket	Cylinder Head Gasket
G-0760	N/A

\*Also available in small OD, 0285-XX

SERIES	VALVE	SEAT	SPRING	URETHANE INSERT	PULLER HEAD
P-4 WEB	U5C-EEF	7DD-B1	5710-110	UDD-7B	1700-7
P-4 WEB HIGH TEMP	U5C-EEFHT	7DD-B1	5710-110	UDD-7BHT	1700-7
P-FULL OPEN	7FO-V1	7FO-S1	5710-115L	7FO-SI	1700-7FO
P-G2	1560985	1561370	1560702	1560557	1700-7G2
P-3 WEB	202PZL482A	202PZL039	5710-110	201PZL106	1700-7R
P-ROUGHNECK	RN7-V1	RN7-S1	5710-110L	RN7-I	1700-7FO
P-SW FULL OPEN	777-7	877-7	951	977	1700-7SW
P-DOUBLE ANGLE	0500110	0509309	05147900	0514275	1700-7BA
P-PLATE TYPE	0505062	0509309	05144230	0504893	1700-7BA

Piston Size	Red Thunder Bonded Pistons	Imperial Piston	Imperial Rubber Kits	Rubber Bonded	Long Life (Urethane)
4"	RT-400	I40HK14/15	I40HK	RB-400	LL-400
4½"	RT-440	I44HK14/15	I44HK	RB-440	LL-440
5"	RT-500	I50HB14/15	I50HB	RB-500	LL-500
5½"	RT-540	I54HB14/15	I54HB	RB-540	LL-540
6"	RT-600	I60HB14/15	I60HB	RB-600	LL-600
6½"	RT-640	I64HL14/15	I64HL	RB-640	LL-640
7"	RT-700	I70HL14/15	I70HL	RB-700	LL-700
7½"	N/A	I74HL14/15	I74HL	N/A	N/A

\* ¼ Size are available upon request

RODS						
	PISTON ROD	SUB ROD	CONNECTING ROD	EXTENSION ROD	ROD CLAMP	PISTON ROD NUT
<b>PART NO.</b>	0283-C	0283-A	0283-D	16-0284	24-0284	7403364



# MUD PUMP EXPENDABLES TRIPLEX FLUID END PARTS

## OILWELL

**7½ × 10**

**A-1100-PT**

Liners & Liner Packing		
SIZES	LINER	LINER PACKING
4"	0289-40	G-0753
4½"	0289-44	G-0754
5"	0289-50	G-0742
5½"	0289-54	G-0743
6"	0289-60	G-0745
6¼"	0289-62	G-0770
6½"	0289-64	G-0746
6¾"	0289-66	G-0755
7"	0289-70	G-0756
7¼"	0289-72	G-0757
7½"	0289-74	G-0758

Gaskets	
Valve Cover Gasket	Cylinder Head Gasket
G-0760	N/A

\*Also available in small OD, 0285-XX

SERIES	VALVE	SEAT	SPRING	URETHANE INSERT	PULLER HEAD
P-4 WEB	U5C-EEF	7DD-B1	5710-110	UDD-7B	1700-7
P-4 WEB HIGH TEMP	U5C-EEFHT	7DD-B1	5710-110	UDD-7BHT	1700-7
P-FULL OPEN	7FO-V1	7FO-S1	5710-115L	7FO-SI	1700-7FO
P-G2	1560985	1561370	1560702	1560557	1700-7G2
P-3 WEB	202PZL482A	202PZL039	5710-110	201PZL106	1700-7R
P-ROUGHNECK	RN7-V1	RN7-S1	5710-110L	RN7-I	1700-7FO
P-SW FULL OPEN	777-7	877-7	951	977	1700-7SW
P-DOUBLE ANGLE	0500110	0509309	05147900	0514275	1700-7BA
P-PLATE TYPE	0505062	0509309	05144230	0504893	1700-7BA

Piston Size	Red Thunder Bonded Pistons	Imperial Piston	Imperial Rubber Kits	Rubber Bonded	Long Life (Urethane)
4"	RT-400	I40HK14/15	I40HK	RB-400	LL-400
4½"	RT-440	I44HK14/15	I44HK	RB-440	LL-440
5"	RT-500	I50HB14/15	I50HB	RB-500	LL-500
5½"	RT-540	I54HB14/15	I54HB	RB-540	LL-540
6"	RT-600	I60HB14/15	I60HB	RB-600	LL-600
6½"	RT-640	I64HL14/15	I64HL	RB-640	LL-640
7"	RT-700	I70HL14/15	I70HL	RB-700	LL-700
7½"	N/A	I74HL14/15	I74HL	N/A	N/A

\* ¼ Size are available upon request

RODS						
PART NO.	PISTON ROD	SUB ROD	CONNECTING ROD	EXTENSION ROD	ROD CLAMP	PISTON ROD NUT
	0283-C	0283-A	0283-D	16-0284	24-0284	7403364



# MUD PUMP EXPENDABLES TRIPLEX FLUID END PARTS

## OILWELL

**7½ × 10**

**A-1400-PT**

Liners & Liner Packing		
SIZES	LINER	LINER PACKING
4"	0284-40	G-0753
4½"	0284-44	G-0754
5"	0284-50	G-0742
5½"	0284-54	G-0743
6"	0284-60	G-0745
6¼"	0284-62	G-0770
6½"	0284-64	G-0746
6¾"	0284-66	G-0755
7"	0284-70	G-0756
7¼"	0284-72	G-0757
7½"	0284-74	G-0758

Gaskets	
Valve Cover Gasket	Cylinder Head Gasket
G-0760	N/A

\*Also available in small OD, 0283-XX

SERIES	VALVE	SEAT	SPRING	URETHANE INSERT	PULLER HEAD
P-4 WEB	U5C-EEF	7DD-B1	5710-110	UDD-7B	1700-7
P-4 WEB HIGH TEMP	U5C-EEFHT	7DD-B1	5710-110	UDD-7BHT	1700-7
P-FULL OPEN	7FO-V1	7FO-S1	5710-115L	7FO-SI	1700-7FO
P-G2	1560985	1561370	1560702	1560557	1700-7G2
P-3 WEB	202PZL482A	202PZL039	5710-110	201PZL106	1700-7R
P-ROUGHNECK	RN7-V1	RN7-S1	5710-110L	RN7-I	1700-7FO
P-SW FULL OPEN	777-7	877-7	951	977	1700-7SW
P-DOUBLE ANGLE	0500110	0509309	05147900	0514275	1700-7BA
P-PLATE TYPE	0505062	0509309	05144230	0504893	1700-7BA

Piston Size	Red Thunder Bonded Pistons	Imperial Piston	Imperial Rubber Kits	Rubber Bonded	Long Life (Urethane)
4"	RT-400	I40HK14/15	I40HK	RB-400	LL-400
4½"	RT-440	I44HK14/15	I44HK	RB-440	LL-440
5"	RT-500	I50HB14/15	I50HB	RB-500	LL-500
5½"	RT-540	I54HB14/15	I54HB	RB-540	LL-540
6"	RT-600	I60HB14/15	I60HB	RB-600	LL-600
6½"	RT-640	I64HL14/15	I64HL	RB-640	LL-640
7"	RT-700	I70HL14/15	I70HL	RB-700	LL-700
7½"	N/A	I74HL14/15	I74HL	N/A	N/A

\* ¼ Size are available upon request

RODS						
	PISTON ROD	SUB ROD	CONNECTING ROD	EXTENSION ROD	ROD CLAMP	PISTON ROD NUT
<b>PART NO.</b>	0283-C	0283-A	0283-D	16-0284	24-0284	7403364



# MUD PUMP EXPENDABLES TRIPLEX FLUID END PARTS

## OILWELL

**7½ × 12**

**A-1700-PT**

Liners & Liner Packing		
SIZES	LINER	LINER PACKING
4"	0284-40	MKG-0753
4½"	0284-44	MKG-0754
5"	0284-50	MKG-0742
5½"	0284-54	MKG-0743
6"	0284-60	MKG-0745
6¼"	0284-62	MKG-0770
6½"	0284-64	MKG-0746
6¾"	0284-66	MKG-0755
7"	0284-70	MKG-0756
7¼"	0284-72	MKG-0757
7½"	0284-74	MKG-0758

Gaskets	
Valve Cover Gasket	Cylinder Head Gasket
G-0760	N/A

\*Also available in small OD, 0283-XX

SERIES	VALVE	SEAT	SPRING	URETHANE INSERT	PULLER HEAD
P-4 WEB	U5C-EEF	7DD-B1	5710-110	UDD-7B	1700-7
P-4 WEB HIGH TEMP	U5C-EEFHT	7DD-B1	5710-110	UDD-7BHT	1700-7
P-FULL OPEN	7FO-V1	7FO-S1	5710-115L	7FO-SI	1700-7FO
P-G2	1560985	1561370	1560702	1560557	1700-7G2
P-3 WEB	202PZL482A	202PZL039	5710-110	201PZL106	1700-7R
P-ROUGHNECK	RN7-V1	RN7-S1	5710-110L	RN7-I	1700-7FO
P-SW FULL OPEN	777-7	877-7	951	977	1700-7SW
P-DOUBLE ANGLE	0500110	0509309	05147900	0514275	1700-7BA
P-PLATE TYPE	0505062	0509309	05144230	0504893	1700-7BA

Piston Size	Red Thunder Bonded Pistons	Imperial Piston	Imperial Rubber Kits	Rubber Bonded	Long Life (Urethane)
4"	RT-400	I40HK14/15	I40HK	RB-400	LL-400
4½"	RT-440	I44HK14/15	I44HK	RB-440	LL-440
5"	RT-500	I50HB14/15	I50HB	RB-500	LL-500
5½"	RT-540	I54HB14/15	I54HB	RB-540	LL-540
6"	RT-600	I60HB14/15	I60HB	RB-600	LL-600
6½"	RT-640	I64HL14/15	I64HL	RB-640	LL-640
7"	RT-700	I70HL14/15	I70HL	RB-700	LL-700
7½"	N/A	I74HL14/15	I74HL	N/A	N/A

\* ¼ Size are available upon request

RODS						
	PISTON ROD	SUB ROD	CONNECTING ROD	EXTENSION ROD	ROD CLAMP	PISTON ROD NUT
<b>PART NO.</b>	0283-C	0283-A	0283-D	16-0284	24-0284	7403364



# MUD PUMP EXPENDABLES TRIPLEX FLUID END PARTS

## NATIONAL

4½ × 5

JWS165/340

Liners & Liner Packing		
SIZES	LINER	LINER PACKING
3"	0240-30	1712064
3½"	0240-34	1712064
4"	0240-40	1712064
4½"	0240-44	1712064

Gaskets	
JWS165	2410031-429
JWS340	1718265

SERIES	P – G2	P – G2
	SUCTION	DISCHARGE
VALVE (Urethane Insert)	1561575	1561575
VALVE (Rubber Insert)	N/A	N/A
VALVE SEAT	1561571	1561572
VALVE SPRING	1712211	1712206
VALVE INSERT (Urethane)	1561577	1561577
VALVE INSERT (Red Thunder)	N/A	N/A
VALVE INSERT (Rubber)	N/A	N/A
VALVE SEAT PULLER HEAD	N/A	N/A

Piston Size	Red Thunder Bonded Pistons	Imperial Piston	Imperial Rubber Kits	Rubber Bonded	Long Life (Urethane)
3"	N/A	I30HA10	I30HA	N/A	N/A
3½"	N/A	I34HK10	I34HK	N/A	N/A
4"	RT-400-10	I40HK10	I40HB	RB-400-10	LL-400-10
4½"	RT-440-10	I44HK10	I44HK	RB-440-10	LL-440-10

\* ¼ Size are available upon request

RODS					
	PISTON ROD	SUB ROD	EXTENSION ROD	ROD CLAMP	PISTON ROD NUT
ONE PIECE	0238		16-0238	24-0238	7403224



# MUD PUMP EXPENDABLES TRIPLEX FLUID END PARTS

## NATIONAL

**4½ × 5**

**JWS400**

Liners & Liner Packing		
SIZES	LINER	LINER PACKING
4"	0237-40	G-0272
4½"	0237-44	G-0274
5"	0237-50	G-0276
5½"	0237-54	G-0278

Gaskets	
Valve Cover Gasket	Cylinder Head Gasket
1715146	N/A

SERIES	P – G2	
	SUCTION	DISCHARGE
VALVE (Urethane Insert)	1561575	1561575
VALVE (Rubber Insert)	N/A	N/A
VALVE SEAT	1561561	1561569
VALVE SPRING	1560698	1717296
VALVE INSERT (Urethane)	1561577	1561577
VALVE INSERT (Red Thunder)	N/A	N/A
VALVE INSERT (Rubber)	N/A	N/A
VALVE SEAT PULLER HEAD	N/A	N/A

Piston Size	Red Thunder Bonded Pistons	Imperial Piston	Imperial Rubber Kits	Rubber Bonded	Long Life (Urethane)
4"	RT-400-10	I40HK10	I40HK	RB-400-10	LL-400-10
4½"	RT-440-10	I44HK10	I44HK	RB-440-10	LL-440-10
5"	RT-500-10	I50HB10	I50HB	RB-500-10	LL-500-10
5½"	RT-540-10	I54HB10	I54HB	RB-540-10	LL-540-10

\* ¼ Size are available upon request

RODS					
	PISTON ROD	SUB ROD	EXTENSION ROD	ROD CLAMP	PISTON ROD NUT
<b>PART NO.</b>	2239-A	2239-B	16-2239	24-2239	7403224



# MUD PUMP EXPENDABLES TRIPLEX FLUID END PARTS

## NATIONAL

**6<sup>1</sup>/<sub>4</sub> × 7<sup>3</sup>/<sub>4</sub>**

**7-P-50**

Liners & Liner Packing		
SIZES	LINER	LINER PACKING
4"	0257-40	G-0272
4½"	0257-44	G-0274
5"	0257-50	G-0276
5½"	0257-54	G-0278
6"	0257-60	G-0280
6¼"	0257-62	G-0268

Gaskets	
Valve Cover Gasket	Cylinder Head Gasket
61-0253	N/A

SERIES	VALVE	SEAT	SPRING	URETHANE INSERT	PULLER HEAD
P-4 WEB	U5B-05	5DD-B3	5710-111	UDD-5B	1700-5
P-FULL OPEN	5DFO-V1	5DFO-S3	5710-030	5DFO-SI	1700-5FO
P-DOUBLE ANGLE	500117	515745	5147900	515844	1700-5BA
P-PLATE TYPE	504991	515745	5144230	504888	1700-5BA

Piston Size	Red Thunder Bonded Pistons	Imperial Piston	Imperial Rubber Kits	Rubber Bonded	Long Life (Urethane)
4"	RT-400	I40HK14/15	I40HK	RB-400	LL-400
4½"	RT-440	I44HK14/15	I44HK	RB-440	LL-440
5"	RT-500	I50HB14/15	I50HB	RB-500	LL-500
5½"	RT-540	I54HB14/15	I54HB	RB-540	LL-540
6"	RT-600	I60HB14/15	I60HB	RB-600	LL-600

\* ¼ Size are available upon request

RODS					
	PISTON ROD	SUB ROD	EXTENSION ROD	ROD CLAMP	PISTON ROD NUT
<b>PART NO.</b>	0257-A	0257-B	16-0257	24-0257	7403364





# MUD PUMP EXPENDABLES TRIPLEX FLUID END PARTS

## NATIONAL

6½ × 8½

8-P-80

Liners & Liner Packing		
SIZES	LINER	LINER PACKING
4"	0256-40	G-0272
4½"	0256-44	G-0274
5"	0256-50	G-0276
5½"	0256-54	G-0278
6"	0256-60	G-0280
6¼"	0256-62	G-0268

Gaskets	
Valve Cover Gasket	Cylinder Head Gasket
61-0255	N/A

SERIES	VALVE	SEAT	SPRING	URETHANE INSERT	PULLER HEAD
P-4 WEB	U5B-EH	6ADD-B4	5710-115	UDD-6AB	1700-6
P-4 WEB HIGH TEMP	U5B-EHHT	6ADD-B4	5710-115	UDD-6ABHT	1700-6
P-FULL OPEN	6FO-V1	6FO-S4	5710-115	6FO-SI	1700-6FO
P-G2	1560995	1561450	1560701	1560587	1700-6G2
P-ROUGHNECK	RN6-V1	RN6-S4	5710-115L	RN6-I	1700-6FO
P-SW FULL OPEN	773-1	873-1	951	973	1700-6SW
P-DOUBLE ANGLE	0500119	0512436	05147900	0515845	1700-6BA
P-PLATE TYPE	0505038	0512436	05155760	0504890	1700-6BA

Piston Size	Red Thunder Bonded Pistons	Imperial Piston	Imperial Rubber Kits	Rubber Bonded	Long Life (Urethane)
4"	RT-400	I40HK14/15	I40HK	RB-400	LL-400
4½"	RT-440	I44HK14/15	I44HK	RB-440	LL-440
5"	RT-500	I50HB14/15	I50HB	RB-500	LL-500
5½"	RT-540	I54HB14/15	I54HB	RB-540	LL-540
6"	RT-600	I60HB14/15	I60HB	RB-600	LL-600
6½"	RT-640	I64HB14/15	I64HB	RB-640	LL-640

\* ¼ Size are available upon request

RODS					
	PISTON ROD	SUB ROD	EXTENSION ROD	ROD CLAMP	PISTON ROD NUT
<b>PART NO.</b>	0259-A	0259-B	16-0259	24-0259	7403364



# MUD PUMP EXPENDABLES TRIPLEX FLUID END PARTS

## NATIONAL

6<sup>3</sup>/<sub>4</sub> × 9<sup>1</sup>/<sub>4</sub>

9-P-100

Liners & Liner Packing		
SIZES	LINER	LINER PACKING
4"	N/A	N/A
4½"	0255-44	G-0274
5"	0255-50	G-0265
5½"	0255-54	G-0263
6"	0255-60	G-0261
6¼"	0255-62	G-0283
6½"	0255-64	G-0283
6¾"	0255-66	G-0283

Gaskets	
Valve Cover Gasket	Cylinder Head Gasket
61-0255	N/A

SERIES	VALVE	SEAT	SPRING	URETHANE INSERT	PULLER HEAD
P-4 WEB	U5B-EH	6ADD-B4	5710-115	UDD-6AB	1700-6
P-4 WEB HIGH TEMP	U5B-EHHT	6ADD-B4	5710-115	UDD-6ABHT	1700-6
P-FULL OPEN	6FO-V1	6FO-S4	5710-115	6FO-SI	1700-6FO
P-G2	1560995	1561450	1560701	1560587	1700-6G2
P-ROUGHNECK	RN6-V1	RN6-S4	5710-115L	RN6-I	1700-6FO
P-SW FULL OPEN	773-1	873-1	951	973	1700-6SW
P-DOUBLE ANGLE	0500119	0512436	05147900	0515845	1700-6BA
P-PLATE TYPE	0505038	0512436	05155760	0504890	1700-6BA

Piston Size	Red Thunder Bonded Pistons	Imperial Piston	Imperial Rubber Kits	Rubber Bonded	Long Life (Urethane)
4"	RT-400	I40HK14/15	I40HK	RB-400	LL-400
4½"	RT-440	I44HK14/15	I44HK	RB-440	LL-440
5"	RT-500	I50HB14/15	I50HB	RB-500	LL-500
5½"	RT-540	I54HB14/15	I54HB	RB-540	LL-540
6"	RT-600	I60HB14/15	I60HB	RB-600	LL-600
6½"	RT-640	I64HL14/15	I64HL	RB-640	LL-640

\* ¼ Size are available upon request

RODS					
	PISTON ROD	SUB ROD	EXTENSION ROD	ROD CLAMP	PISTON ROD NUT
<b>PART NO.</b>	0260-A	0260-B	16-0260	24-0260	7403364



# MUD PUMP EXPENDABLES TRIPLEX FLUID END PARTS

## NATIONAL

**6<sup>3</sup>/<sub>4</sub> × 10**

**10-P-130**

Liners & Liner Packing		
SIZES	LINER	LINER PACKING
4"	N/A	N/A
4½"	0255-44	G-0274
5"	0255-50	G-0265
5½"	0255-54	G-0263
6"	0255-60	G-0261
6¼"	0255-62	G-0283
6½"	0255-64	G-0283
6¾"	0255-66	G-0283

Gaskets	
Valve Cover Gasket	Cylinder Head Gasket
61-0255	N/A

SERIES	VALVE	SEAT	SPRING	URETHANE INSERT	PULLER HEAD
P-4 WEB	U5B-EH	6ADD-B4	5710-115	UDD-6AB	1700-6
P-4 WEB HIGH TEMP	U5B-EHHT	6ADD-B4	5710-115	UDD-6ABHT	1700-6
P-FULL OPEN	6FO-V1	6FO-S4	5710-115	6FO-SI	1700-6FO
P-G2	1560995	1561450	1560701	1560587	1700-6G2
P-ROUGHNECK	RN6-V1	RN6-S4	5710-115L	RN6-I	1700-6FO
P-SW FULL OPEN	773-1	873-1	951	973	1700-6SW
P-DOUBLE ANGLE	0500119	0512436	05147900	0515845	1700-6BA
P-PLATE TYPE	0505038	0512436	05155760	0504890	1700-6BA

Piston Size	Red Thunder Bonded Pistons	Imperial Piston	Imperial Rubber Kits	Rubber Bonded	Long Life (Urethane)
4"	RT-400	I40HK14/15	I40HK	RB-400	LL-400
4½"	RT-440	I44HK14/15	I44HK	RB-440	LL-440
5"	RT-500	I50HB14/15	I50HB	RB-500	LL-500
5½"	RT-540	I54HB14/15	I54HB	RB-540	LL-540
6"	RT-600	I60HB14/15	I60HB	RB-600	LL-600
6½"	RT-640	I64HL14/15	I64HL	RB-640	LL-640

\* ¼ Size are available upon request

RODS					
	PISTON ROD	SUB ROD	EXTENSION ROD	ROD CLAMP	PISTON ROD NUT
<b>PART NO.</b>	0256-A	0256-B	16-0256	24-0256	7403364



# MUD PUMP EXPENDABLES TRIPLEX FLUID END PARTS

## NATIONAL

**7½ × 12**

**12-P-160**

Liners & Liner Packing		
SIZES	LINER	LINER PACKING
4"	0259-40	G-0265
4½"	0259-44	G-0265
5"	0259-50	G-0264
5½"	0259-54	G-0263
6"	0259-60	G-0261
6¼"	0259-62	G-0283
6½"	0259-64	G-0284
6¾"	0259-66	G-0287
7"	0259-70	G-0285
7¼"	0259-72	G-0286
7½"	0259-74	N/A

Gaskets	
Valve Cover Gasket	Cylinder Head Gasket
G-0771	N/A

SERIES	VALVE	SEAT	SPRING	URETHANE INSERT	PULLER HEAD
P-4 WEB	U5C-EEF	7DD-B12	5710-115	UDD-7B	1700-7
P-4 WEB HIGH TEMP	U5C-EEFHT	7DD-B12	5710-115	UDD-7BHT	1700-7
P-FULL OPEN	7FO-V1	7FO-S12	5710-115L	7FO-SI	1700-7FO
P-G2	1560985	1561440	1560702	1560557	1700-7G2
P-ROUGHNECK	RN7-V1	RN7-S12	5710-115L	RN7-I	1700-7FO
P-SW FULL OPEN	777-7	877-8	951	977	1700-7SW
P-DOUBLE ANGLE	0500110	0514299	05147900	0514275	1700-7BA
P-PLATE TYPE	0505062	0514299	05144230	0504893	1700-7BA

Piston Size	Red Thunder Bonded Pistons	Imperial Piston	Imperial Rubber Kits	Rubber Bonded	Long Life (Urethane)
4"	RT-400	I40HK14/15	I40HK	RB-400	LL-400
4½"	RT-440	I44HK14/15	I44HK	RB-440	LL-440
5"	RT-500	I50HB14/15	I50HB	RB-500	LL-500
5½"	RT-540	I54HB14/15	I54HB	RB-540	LL-540
6"	RT-600	I60HB14/15	I60HB	RB-600	LL-600
6½"	RT-640	I64HL14/15	I64HL	RB-640	LL-640
7"	RT-700	I70HL14/15	I70HL	RB-700	LL-700
7½"	N/A	I74HL14/15	I74HL	RB-740	LL-740

\* ¼ Size are available upon request

RODS					
	PISTON ROD	SUB ROD	EXTENSION ROD	ROD CLAMP	PISTON ROD NUT
<b>PART NO.</b>	0258-A	0258-B	16-0258	24-0258	7403364



**MUD PUMP EXPENDABLES  
TRIPLEX FLUID END PARTS**

# **FLUID END MODULE AND ACCESSORIES**



## FLUID END MODULE AND ACCESSORIES

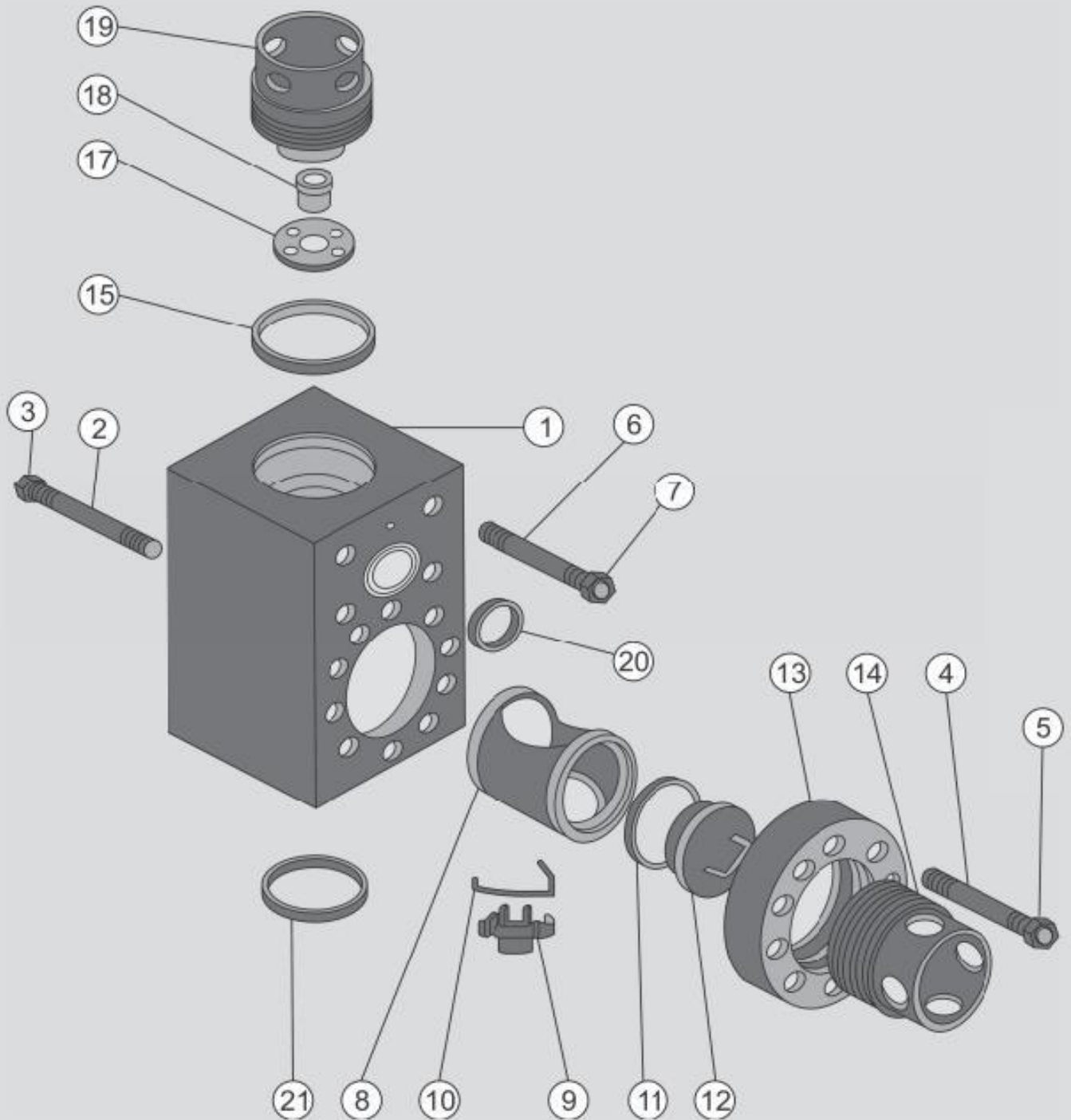
### EMSCO

#### F-350, F-500 & F-650

Item	Part No.	Description	Qty per Pump
	6318-0151-00	Fluid Module, Studded (Included Items 2 – 7)	(3)
1		Fluid Module, Only	3
2	7507-2207-00	Stud – Frame	18
3	7601-0630-17	Nut – Frame	18
4	7507-3402-00	Stud – Threaded Ring	36
5	7601-0630-26	Nut – Threaded Ring	36
6	7507-3407-00	Stud – Discharge Manifold	12
7	7601-0630-26	Nut – Discharge Manifold	12
8	6318-0148-00	Liner Cage	3
9	6318-0177-00	Lower Valve Guide with Bushing	3
10	6318-0153-00	Locking Clip	3
11	7602-2200-34	Gasket – Liner	6
12	6318-0158-00	Cylinder Head Plug	3
13	6318-0130-00	Threaded Ring	3
14	6318-0157-00	Cylinder Head	3
15	6310-0084-00	Gasket – Valve Pot Cover	3
16	7501-0051-00*	Retainer Bolt	12
17	6310-0133-00	Retainer Plate	3
18	6397-0602-00	Upper Valve Guide	3
19	6310-0016-01	Valve Pot Cover	3
20	7602-1600-23	Gasket – Discharge Manifold	3
21	7602-1600-33	Gasket – Suction Manifold	3
22	6318-0155-00	Lower Valve Guide Bushing	3

\* Not shown

# FLUID END MODULE AND ACCESSORIES F-350 F-500 F-650





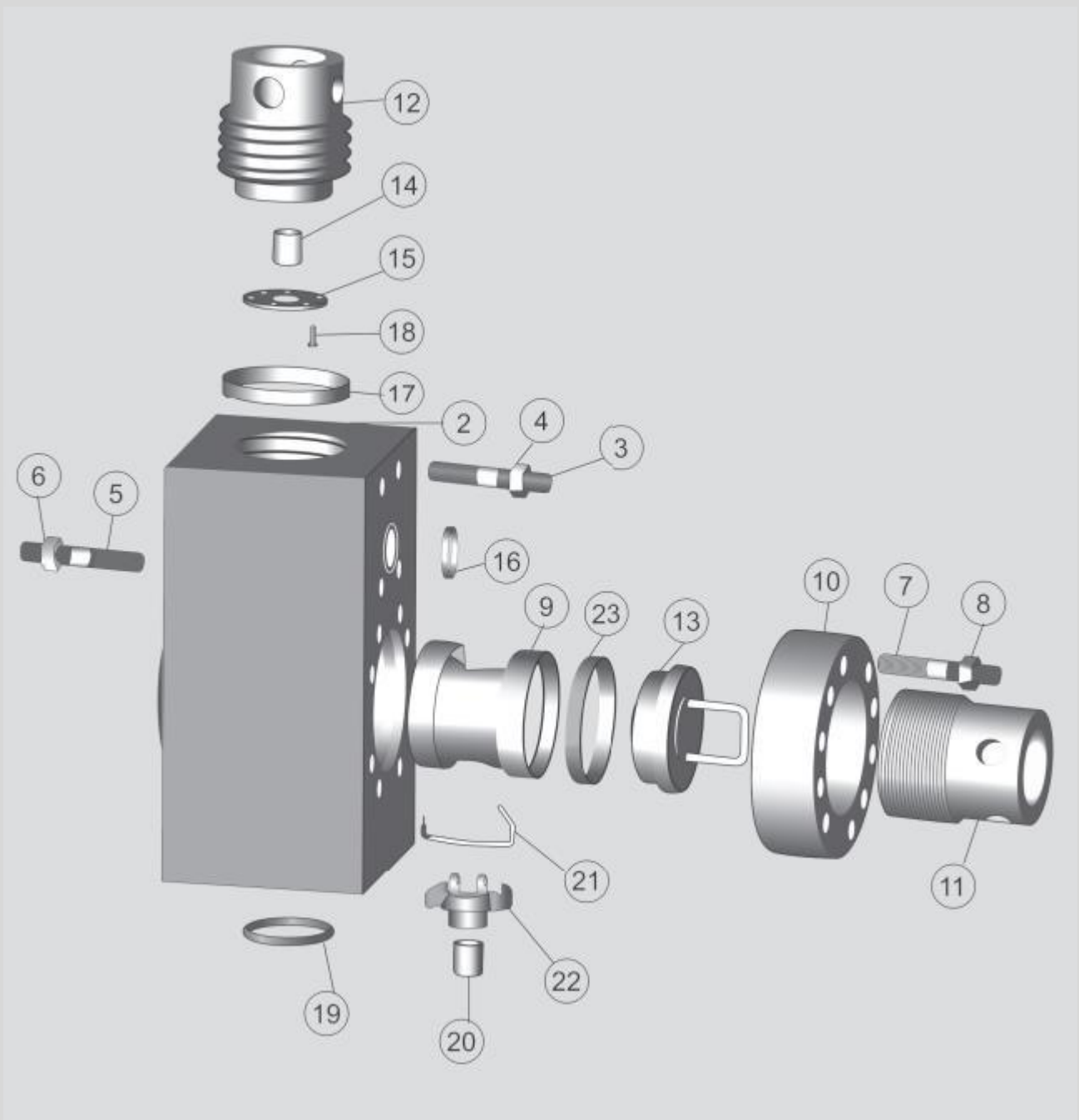
## FLUID END MODULE AND ACCESSORIES

### EMSCO F-800 & F-1000

Item	Part No.	Description	Qty per Pump
1	6999-0086-02	Fluid Module, Studded (Included Items 2 – 8)	(3)
2	6999-0087-02	Fluid Module, Only	3
3	7507-2108-00	Stud – Discharge Manifold	12
4	7601-0630-24	Nut – Discharge Manifold	12
5	7507-2205-00	Stud – Frame	18
6	7601-0630-17	Nut – Frame	18
7	7507-2150-00	Stud – Threaded Ring	30
8	7601-0630-26	Nut – Threaded Ring	30
9	6319-0026-00	Liner Cage	3
10	6999-0089-00	Threaded Ring	3
11	6319-0090-00	Cylinder Head	3
12	6319-0027-00	Valve Pot Cover	3
13	6319-0031-00	Cylinder Head Plug	3
14	6397-0575-00	Upper Valve Guide	3
15	6397-0603-00	Retainer Plate	3
16	7602-1610-46	O-Ring, Discharge Manifold	3
17	6319-0076-00	Seal – Valve Pot Cover	3
18	7501-0051-00	Retainer Bolt	12
19	7602-1600-61	O-Ring – Suction Manifold	3
20	6316-0096-00	Lower Valve Guide Bushing	3
21	6319-0089-00	Locking Clip	3
22	6319-0087-00	Lower Valve Guide with Bushing	3
23	7602-2200-32	Seal – Liner, Cylinder Head Plug	3



F-800 F-1000





## FLUID END MODULE AND ACCESSORIES

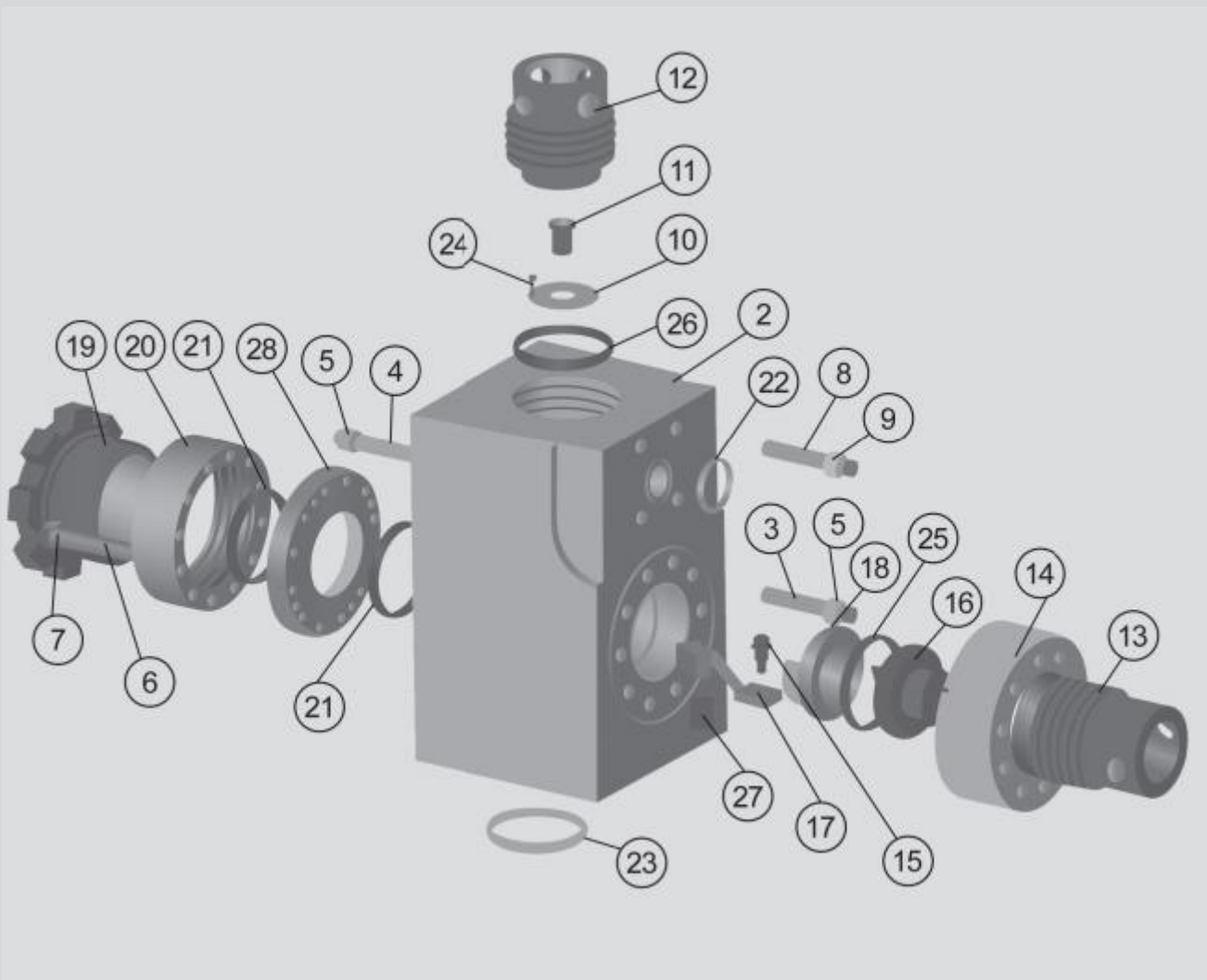
### EMSCO

#### FB – 1300 & FB – 1600

Item	Part No.	Description	Qty per Pump
1	6316-0357-00	Fluid Module, Studded (Included Items 2 – 9)	(3)
2	6316-0356-00	Fluid Module, Only	3
3	7507-2210-00	Stud – Threaded Ring	30
4	7507-2201-00	Stud – Frame	18
5	7601-0630-17	Nut – Frame, Threaded Ring	48
6	7507-2013-00	Stud – Liner Thread Ring	36
7	7601-0610-18	Nut – Liner Thread Ring	36
8	7507-2108-00	Stud – Discharge Manifold	12
9	7601-0630-24	Nut – Discharge Manifold	12
10	6397-0603-00	Retainer Plate	3
11	6397-0575-00	Upper Valve Guide	3
12	6316-0039-00	Valve Cover	3
13	6316-0362-00	Cylinder Head	3
14	6316-0361-00	Cylinder Threaded Ring	3
15	6316-0360-00	Lock Bolt	3
16	6316-0364-00	Cylinder Head Plug	3
17	6316-0354-00	Lower Valve Guide with Bushing	3
18	6316-0363-00	Alignment Ring	3
19	6316-0367-00	Liner Lock	3
20	6316-0366-00	Liner Threaded Ring	3
21	6316-0373-00	Seal – Wear Plate, Liner	3
22	7602-1600-25	Seal – Discharge Manifold	3
23	7602-1600-61	Seal – Suction Manifold	3
24	7501-0051-00	Retainer Bolt	12
25	6316-0369-00	Seal – Cylinder Head Plug	3
26	6316-0092-00	Seal – Valve Pot Cover	3
27	6316-0096-00	Valve Guide Bushing	3
28	6316-0365-00	Wear Plate	3

Offered in Plain Carbon or Stainless Steel

**FB-1300    FB-1600**





## FLUID END MODULE AND ACCESSORIES

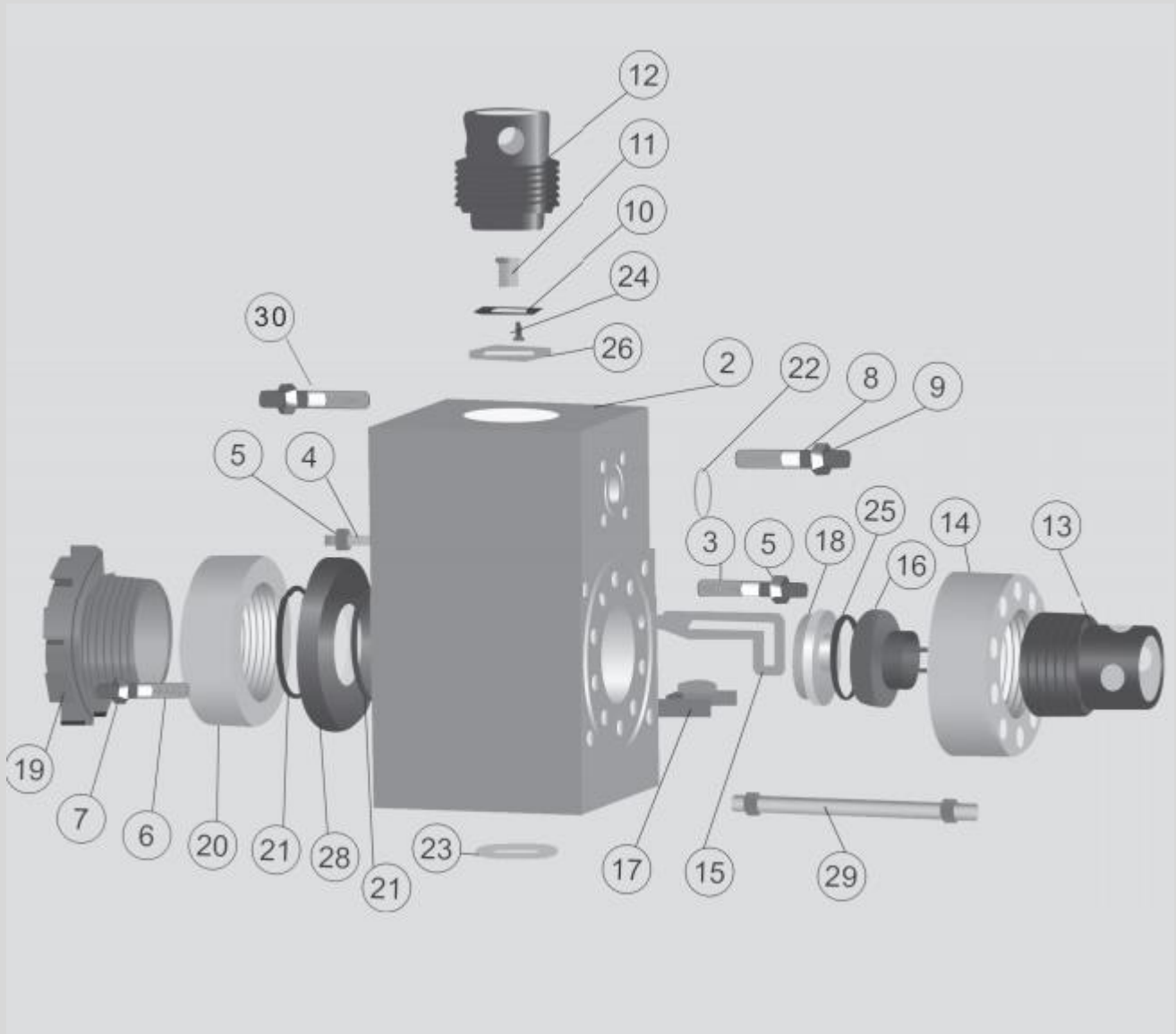
### BOMCO F – 1300 & F – 1600

Item	Part No.	Description	Qty per Pump
1	AH36002-05-01-00	Fluid Module, Studded (Included Items 2 – 9)	(3)
2	AH36002-05-01-00U	Fluid Module, Only	3
3	7507-2210-00	Stud – Threaded Ring	30
4	7507-2201-00	Stud – Frame	18
5	7601-0630-17	Nut – Frame, Threaded Ring	48
6	7507-2013-00	Stud – Liner Thread Ring	36
7	7601-0610-18	Nut – Liner Thread Ring	36
8	7507-2108-00	Stud – Discharge Manifold	12
9	7601-0630-24	Nut – Discharge Manifold	12
10	6397-0603-00	Retainer Plate	3
11	6397-0575-00	Upper Valve Guide	3
12	6316-0039-00	Valve Cover	3
13	6316-0362-00	Cylinder Head	3
14	6316-0361-00	Cylinder Threaded Ring	3
15	AH36001-05A.04	Lower Valve Guide Retainer	3
16	AH36001-05A.06.00	Cylinder Head Plug	3
17	AH36001-05A.05	Lower Valve Guide with Bushing	3
18	AH36001-05A.07	Alignment Ring	3
19	6316-0367-00	Liner Lock	3
20	6316-0366-00	Liner Threaded Ring	3
21	6316-0373-00	Seal – Wear Plate, Liner	3
22	7602-1600-25	Seal – Discharge Manifold	3
23	7602-1600-61	Seal – Suction Manifold	3
24	7501-0051-00	Retainer Bolt	12
25	6316-0369-00	Seal – Cylinder Head Plug	3
26	6316-0092-00	Seal – Valve Pot Cover	3
27	6316-0096-00	Valve Guide Bushing	3
28	6316-0365-00	Wear Plate	3
29	AH36002-01	Frame Stud c/w 2 nuts	12
30	AH36002-02	Frame Stud c/w 1 nut	12

Offered in Plain Carbon or Stainless Steel

\* Not shown

## BOMCO F-1300 F-1600



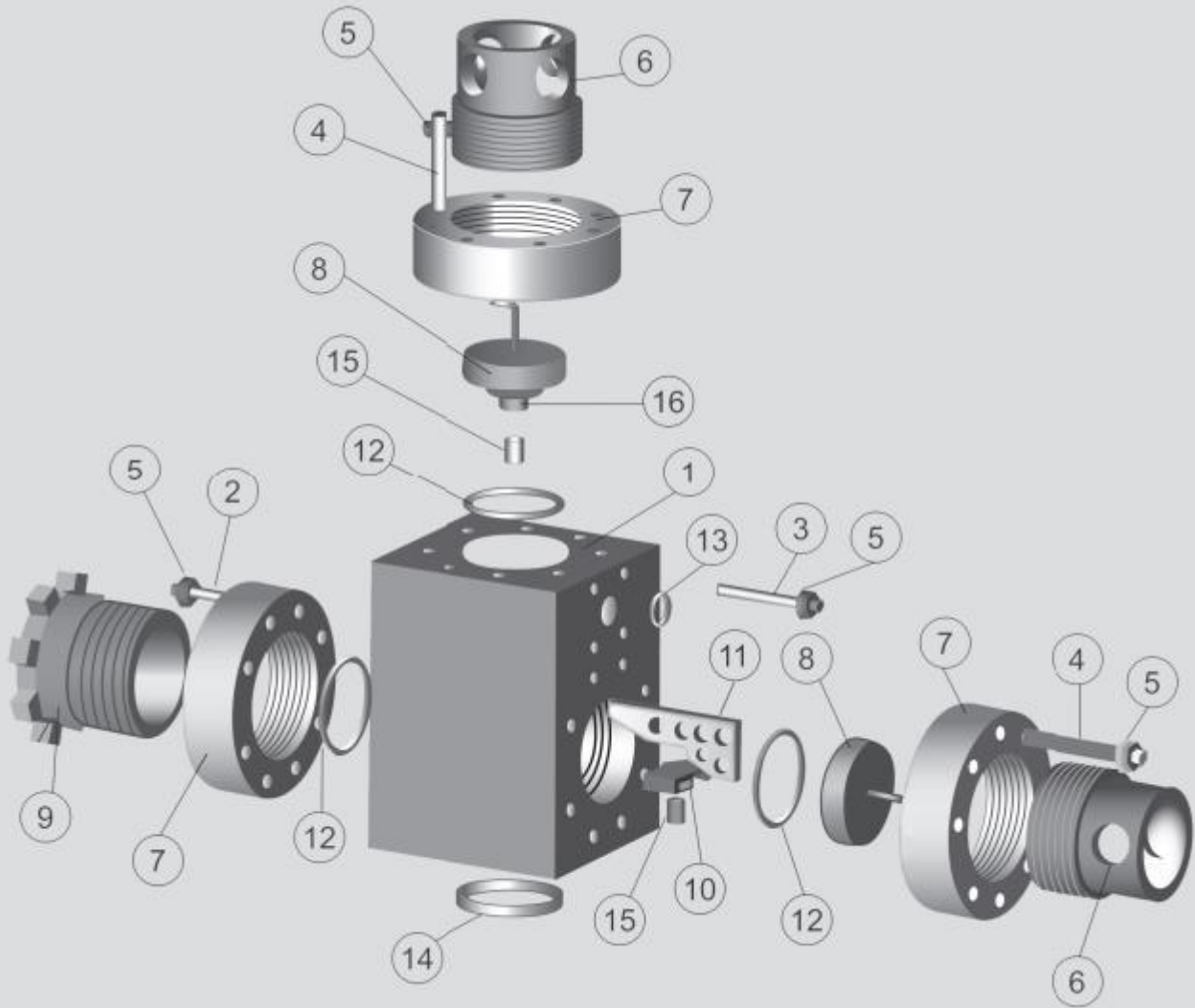


## FLUID END MODULE AND ACCESSORIES

### **IDECO T-500, T-800 & T-1000**

Item	Part No.	Description	Qty per Pump
1	551-458	Fluid Module, Only (Studded Included Items 1 – 5)	3
2	551-410-01	Stud – Frame	24
3	551-410-02	Stud – Discharge Manifold	12
4	551-410-03	Stud – Threaded Ring	48
5	IN-416	Nut	84
6	551-405-04	Threaded Plug Retainer	6
7	551-405-03	Threaded Ring	9
8	551-422-02	Cylinder Head Plug	3
	551-422-03	Cylinder Head Plug – Top (Included Items 8 & 16)	3
9	551-405-05	Threaded Liner Retainer	3
10	551-405-07	Lower Valve Guide	3
11	551-422-04	Retainer – Lower Valve Guide	3
12	BMT-1669-63-09	Seal – Cylinder Head Plug, Liner	9
13	IO-548	Seal – Discharge Manifold	3
14	IO-521	Seal – Suction Manifold	3
15	551-405-09	Valve Guide Bushing	6
16	551-405-06	Upper Valve Guide	3

**T-500 T-800 T-1000**





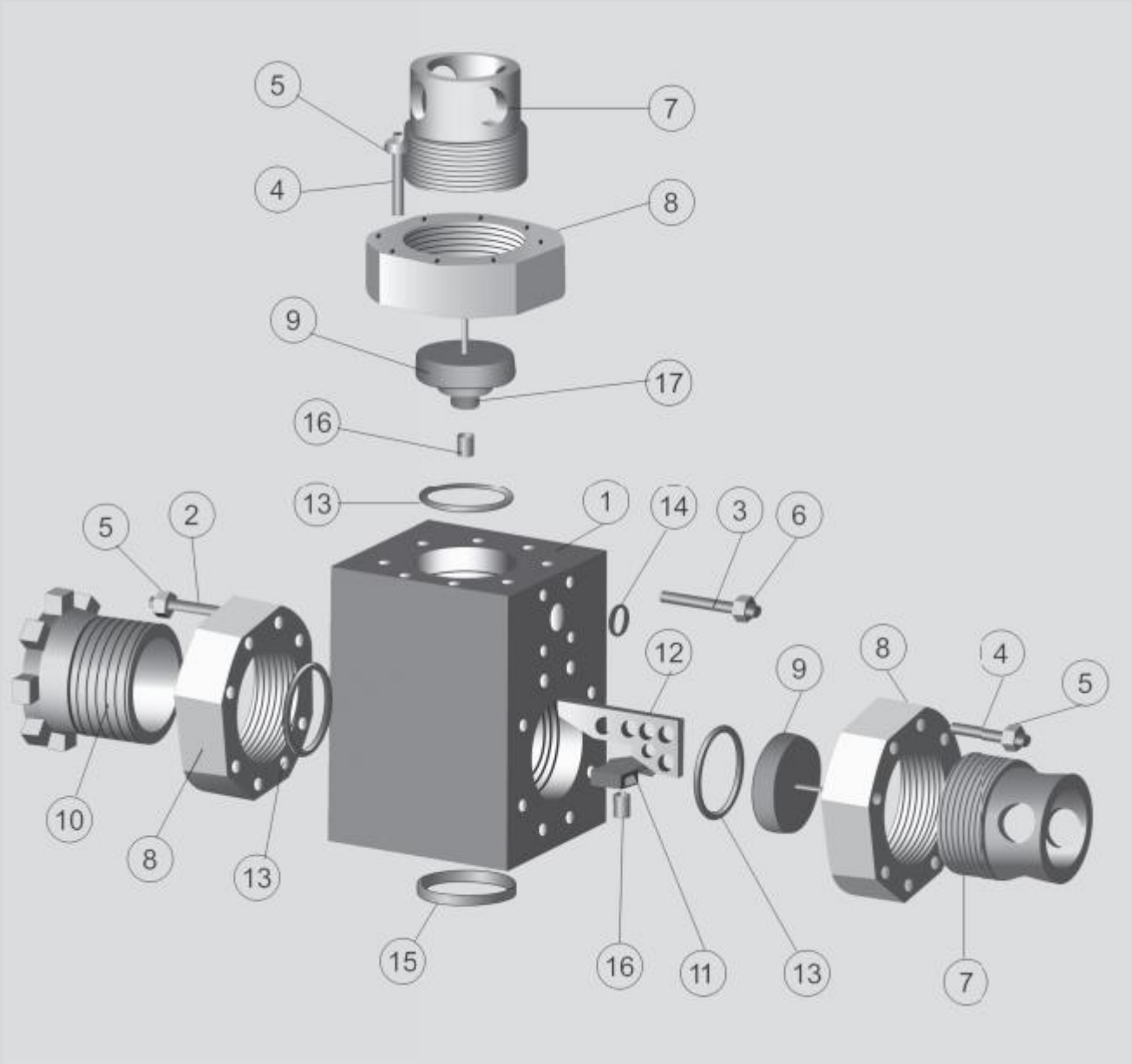
## FLUID END MODULE AND ACCESSORIES

### IDECO T-1300 & T-1600

Item	Part No.	Description	Qty per Pump
1	551-122-01	Fluid Module Only (Studded Included Items 1 – 6)	3
2	551-110-01	Stud – Frame, Threaded Ring	24
3	551-110-02	Stud – Discharge Manifold	12
4	551-110-03	Stud – Threaded Ring	48
5	IN-415	Nut – Threaded Ring	72
6	IN-416	Nut – Discharge Manifold	12
7	551-105-04	Threaded Plug Retainer	6
8	551-105-03	Threaded Ring	9
9	551-122-02	Cylinder Head Plug	3
	551-122-03	Cylinder Head Plug – Top (Included Items 9 & 17)	3
10	551-105-05	Threaded Liner Retainer	3
11	551-105-07	Lower Valve Guide	3
12	551-105-08	Retainer – Lower Valve Guide	3
13	BMT-1669-63-08	Seal – Cylinder Head Plug, Liner	9
14	IO-548	Seal – Discharge Manifold	3
15	IO-507	Seal – Suction Manifold	3
16	551-105-09	Valve Guide Bushing	6
17	551-105-06	Upper Valve Guide	3



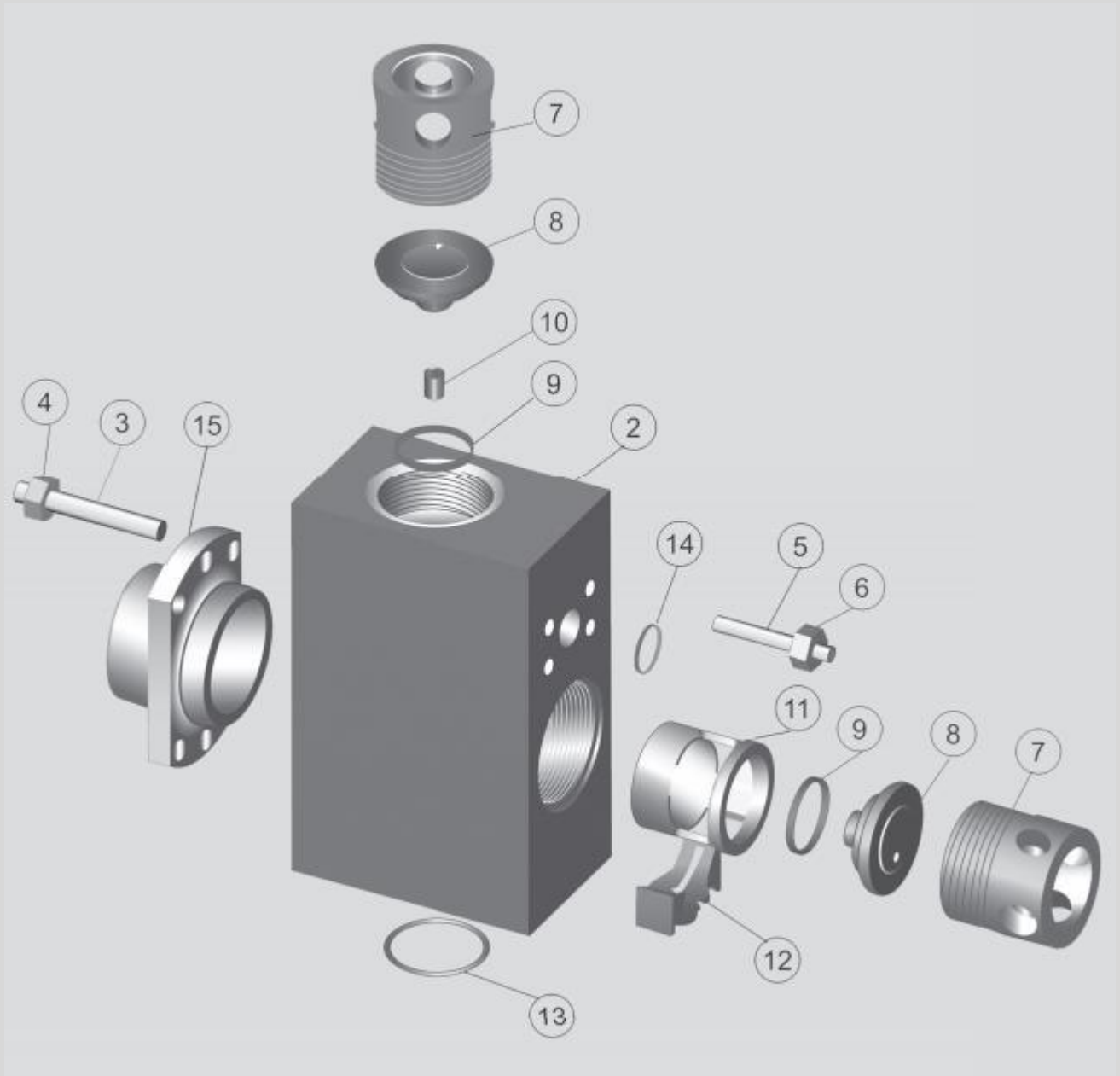
## T-1300 T-1600



**GARDNER DENVER  
PAH (All Models)**

<b>Item</b>	<b>Part No.</b>	<b>Description</b>	<b>Qty per Pump</b>
1	200PJH029B	Fluid Module, Studded (Included Items 2 – 6)	(3)
2		Fluid Module, Only	3
3	79AJ2	Stud – Frame, Liner Clamp	18
4	50B35	Nut – Frame, Liner Clamp	36
5	79L142	Stud – Discharge Manifold	12
6	50B9	Nut – Discharge Manifold	12
7	3PA587	Threaded Cap	6
8	200PJH147	Cover – Valve	6
9	200PJH715	Gasket – Valve Cover	6
10	2013547	Bushing – Discharge Valve Cover	3
11	200PJH205	Retainer	3
12	200PJH483	Valve Guide – Suction	3
13	25G18	Gasket – Suction Manifold	3
14	25AL54	Gasket – Discharge Manifold	3
15	1PA217	Clamp – Liner	3

**PAH (All Models)**



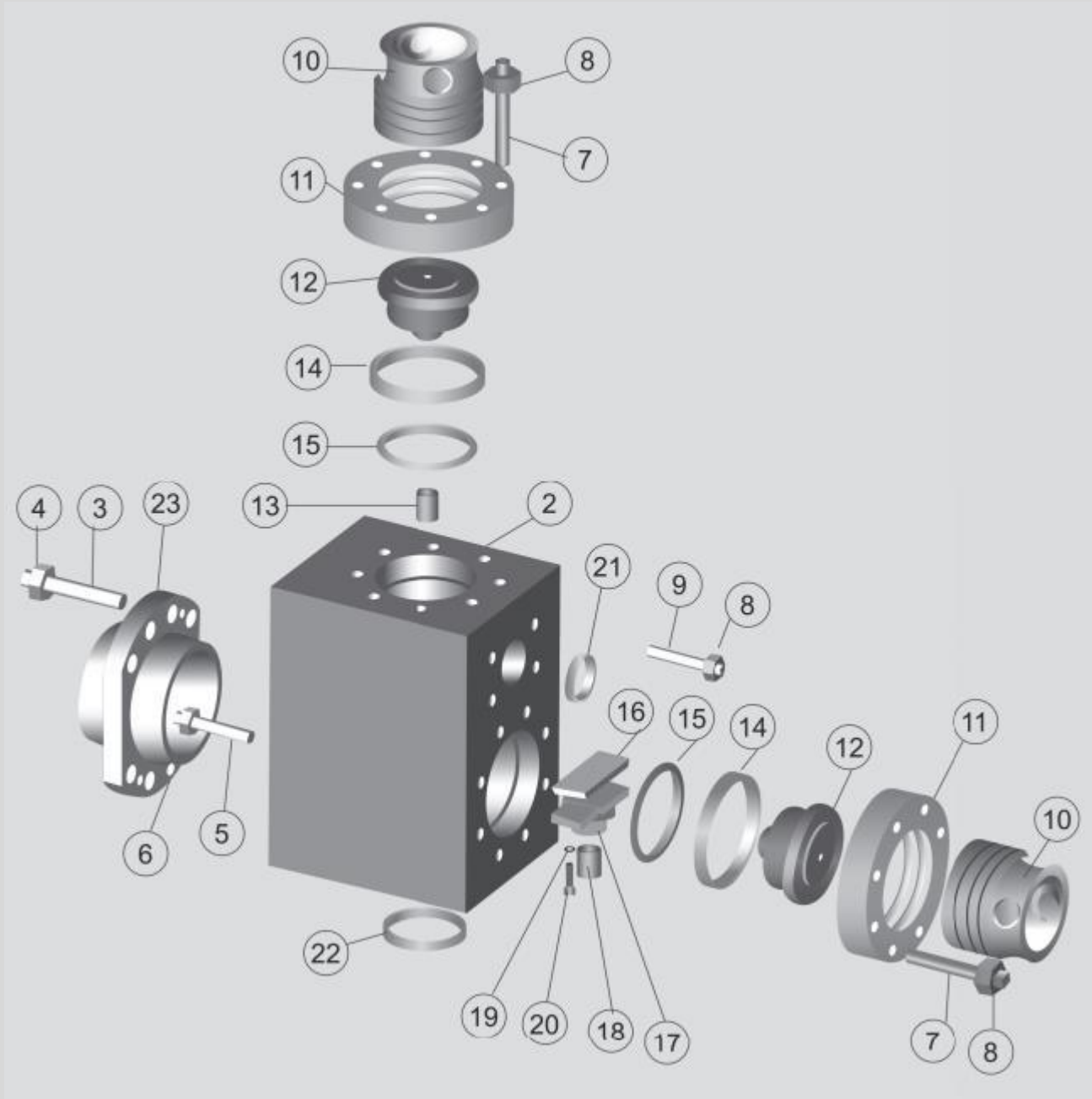


## FLUID END MODULE AND ACCESSORIES

### GARDNER DENVER PZ-7, PZ-8 & PZ-9

Item	Part No.	Description	Qty per Pump
1	205PZL029D	Fluid Module, Studded (Included Items 2 – 9)	(3)
2		Fluid Module, Only	3
3	79L188	Stud – Frame, Liner Clamp	24
4	50B36	Nut – Frame, Liner Clamp	48
5	79L73	Stud – Frame	12
6	50AQ30	Nut – Frame	12
7	79AL6	Stud – Threaded Ring	48
8	50B34	Nut – Threaded Ring, Discharge Manifold	60
9	202PZL110	Stud – Discharge Manifold	12
10	2011857	Cap – Valve Lock	6
11	2011699	Threaded Ring	6
12	2011860	Cover – Valve	6
13	2007674	Valve Guide Bushing	3
14	2011862	Gasket – Valve Cover	6
15	2011861	Ring – Retaining / Valve Cover Gasket	6
	2011706	Valve Guide Assembly (Included Items 16 – 20)	-3
16	2011701	Retainer Plate	3
17	2011700	Valve Guide – Suction	3
18	2007674	Valve Guide Bushing – Suction	3
19	95W2	Lock Washer – Valve Guide / Suction	6
20	655EE06S	Bolt – Valve Guide / Suction	6
21	25AL35	Gasket – Discharge Manifold	3
22	25G41	Gasket – Suction Manifold	3
23	1PV14	Liner Clamp	3

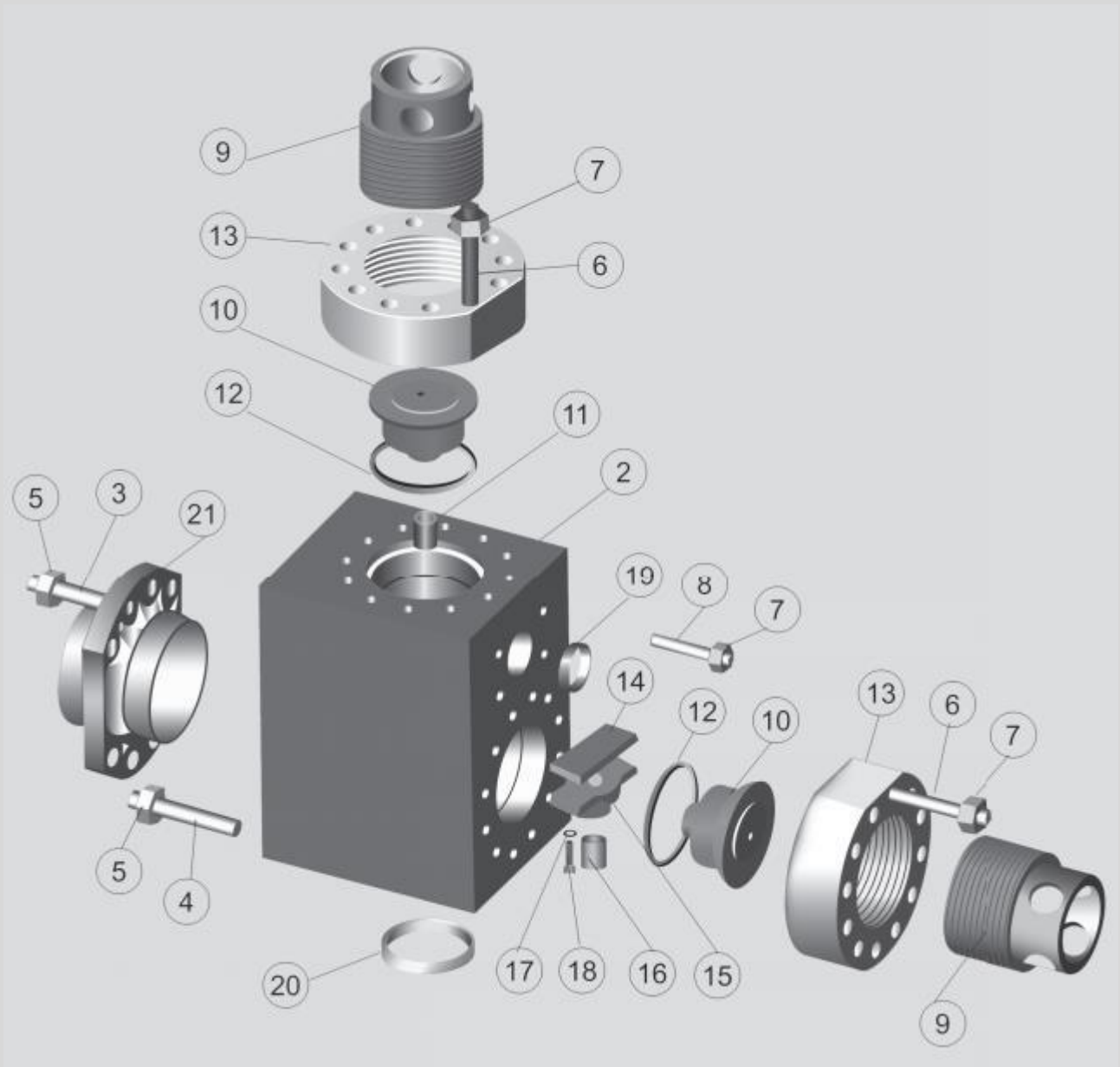
**PZ-7 PZ-8 PZ-9**



**GARDNER DENVER  
PZ-10 & PZ-11**

<b>Item</b>	<b>Part No.</b>	<b>Description</b>	<b>Qty per Pump</b>
1	202PZL029B	Fluid Module, Studded (Included Items 2 – 8)	(3)
2		Fluid Module, Only	3
3	201PZL110	Stud – Frame, Liner Clamp	24
4	205PZL110	Stud – Frame	24
5	50B36	Nut – Frame, Liner Clamp	60
6	204PZL110	Stud – Threaded Ring	72
7	50B34	Nut – Threaded Ring, Discharge Manifold	84
8	202PZL110	Stud – Discharge Manifold	12
9	200PZL587	Cap – Valve Lock	6
10	200PZL147	Cover – Valve	6
11	2007674	Valve Guide Bushing – Discharge	3
12	204PZL715	Gasket – Valve Cover	6
13	200PZL387	Threaded Ring	6
	200PZL483A	Valve Guide Assembly (Included Items 14 – 18)	-3
14	2011701	Retainer Plate	3
15	200PZL483	Valve Guide – Suction	3
16	2007674	Valve Guide Bushing – Suction	3
17	95W2	Lock Washer – Valve Guide / Suction	6
18	655EE06S	Bolt – Valve Guide / Suction	6
19	25AL35	Gasket – Discharge Manifold	3
20	25BE41	Gasket – Suction Manifold	3
21	200PZL455	Liner Clamp	3

PZ-10 PZ-11





## FLUID END MODULE AND ACCESSORIES

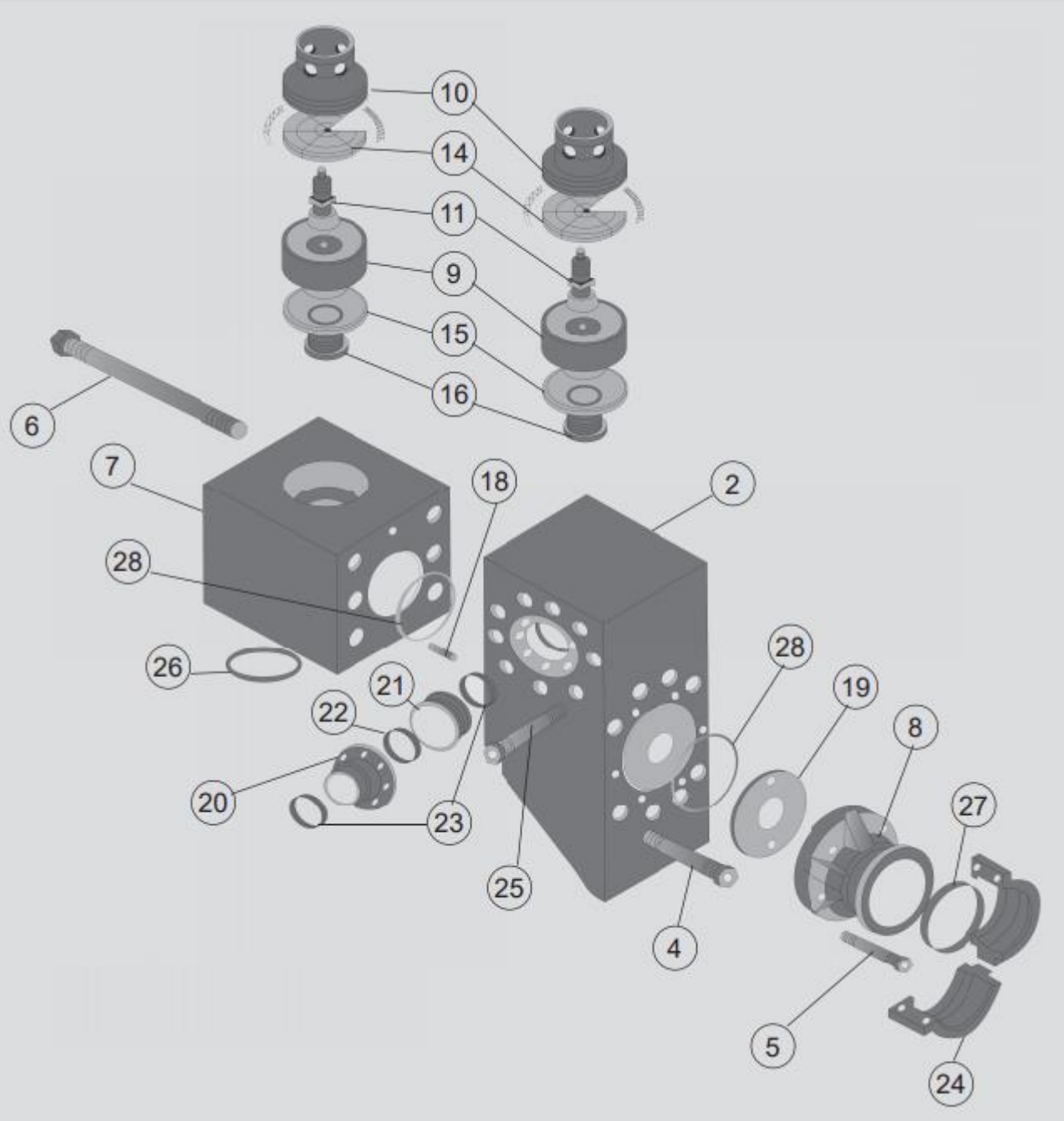
### NATIONAL 7-P-50

Item	Part No.	Description	Qty per Pump
1	1294150	Discharge Module, Studded (Included Items 2 – 7)	(3)
2	1294151	Discharge Module, Only	3
3	6300160	Nut – Wedge Adjusting	24
4	2408042	Stud w/Nut – Frame	24
5	2408043	Stud w/Nut – Liner Bushing	18
6	2408041	Stud w/Nut – Discharge to Suction	18
7	1294156	Suction Module	3
8	1294165	Bushing – Liner	3
9	1294174	Seal Retainer	6
10	1294172	Valve Cover	6
11	1290178	Screw – Wedge Adjusting	6
12	1290315*	Washer – Wedge Adjusting	6
13	1290181*	Spring – Wedge Assembly	6
14	1290376	Wedge Assembly	6
15	1540126	Gasket – Valve Cover	6
16	1292140	Holder – Valve Guide	6
17	1292141*	Insert – Valve Guide	6
18	6511416	Pin, Dowell	6
19	1294160	Plate – Wear	3
20	1294170	Connector – Discharge	2
21	1294171	Adapter – Discharge Connector	2
22	2410031-348	Packing, Rectangular	2
23	2410031-427	Packing, Rectangular	4
24	1294166	Clamp – Liner	3
25	2402560	Stud w/ Nut, Discharge Spacer	16
26	1 540142	Seal – Suction Manifold	3
27	1294168	Collar – Liner	3
28	1294192	Seal – Module, Wear Plate	6

Offered in Plain Carbon or Stainless Steel  
Not shown



**7 – P – 50**





# FLUID END MODULE AND ACCESSORIES

## NATIONAL

### 8-P-80

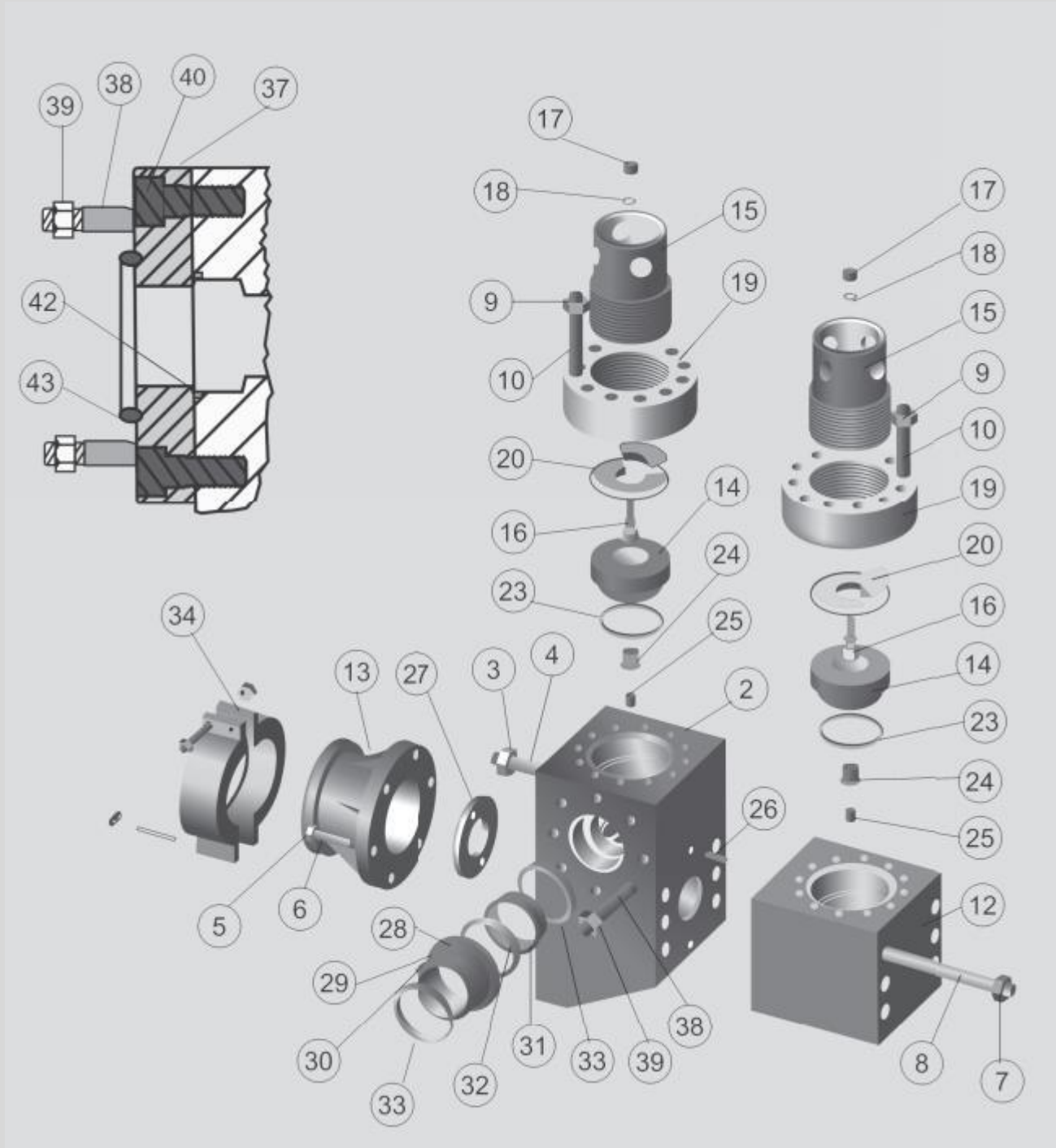
Item	Part No.	Description	Qty per Pump
1	1291280	Discharge Module, Studded (Included Items 2 – 10)	(3)
2	1291281	Discharge Module, Only	3
3	6300180	Nut – Frame	24
4	2408026	Stud – Frame	24
5	6300120	Nut – Liner Bushing	18
6	2408025	Stud – Liner Bushing	18
7	6300241	Nut – Suction to Discharge Module	18
8	2408034	Stud – Suction to Discharge Module	18
9	6300220	Nut – Threaded Ring	72
10	2408019	Stud – Threaded Ring	72
11	1290338	Suction Module, Studded (Included Items 9, 10, 14)	(3)
12	1290339	Suction Module, Only	3
13	1291165	Bushing – Liner	3
14	1290174	Seal Retainer	6
15	1290307	Valve Cover	6
16	1290178	Screw – Wedge Adjusting	6
17	6300160	Nut – Wedge Adjusting	6
18	1290315	Washer – Wedge Adjusting	6
19	1290308	Threaded Ring	6
20	1290376	Wedge Assembly (Included Items 21 – 22)	(6)
21	1290179*	Wedge, Set	6
22	1290181*	Spring – Wedge Retaining	6
23	1540126	Gasket – Valve Cover	6
24	1292140	Holder – Valve Guide	6
25	1292141	Insert – Valve Guide	6
26	6511416	Pin, Dowell	6
27	1290357	Plate – Wear	3
28	1290342	Connector – Discharge	2
29	7000305-11	Screw, Hex Head	16
30	7619050	Washer, Lock	16
31	1290343	Adapter – Discharge Connector	2
32	2410031-348	Packing, Rectangular	2
33	2410031-427	Packing, Rectangular	4
34	1291166	Clamp – Liner	3
35	1590051*	Seal – Suction Manifold	3
36	1291286	Spacer – Discharge, Studded (included items 37 – 39)	(2)
37	1291287	Spacer – Discharge	2
38	2402560	Stud – Discharge Spacer	16
39	6300200	Nut – Discharge Spacer	16

40	7006607	Capscrew	(16)
41	1290344*	Seal – Module, Wear Plate	6
42	1290345	Seal – Discharge Spacer	2
43	6908033	Ring, Oval Joint	2

Offered in Plain Carbon or Stainless Steel

\* Not shown

## 8 – P – 80





# FLUID END MODULE AND ACCESSORIES

## NATIONAL 9-P-100

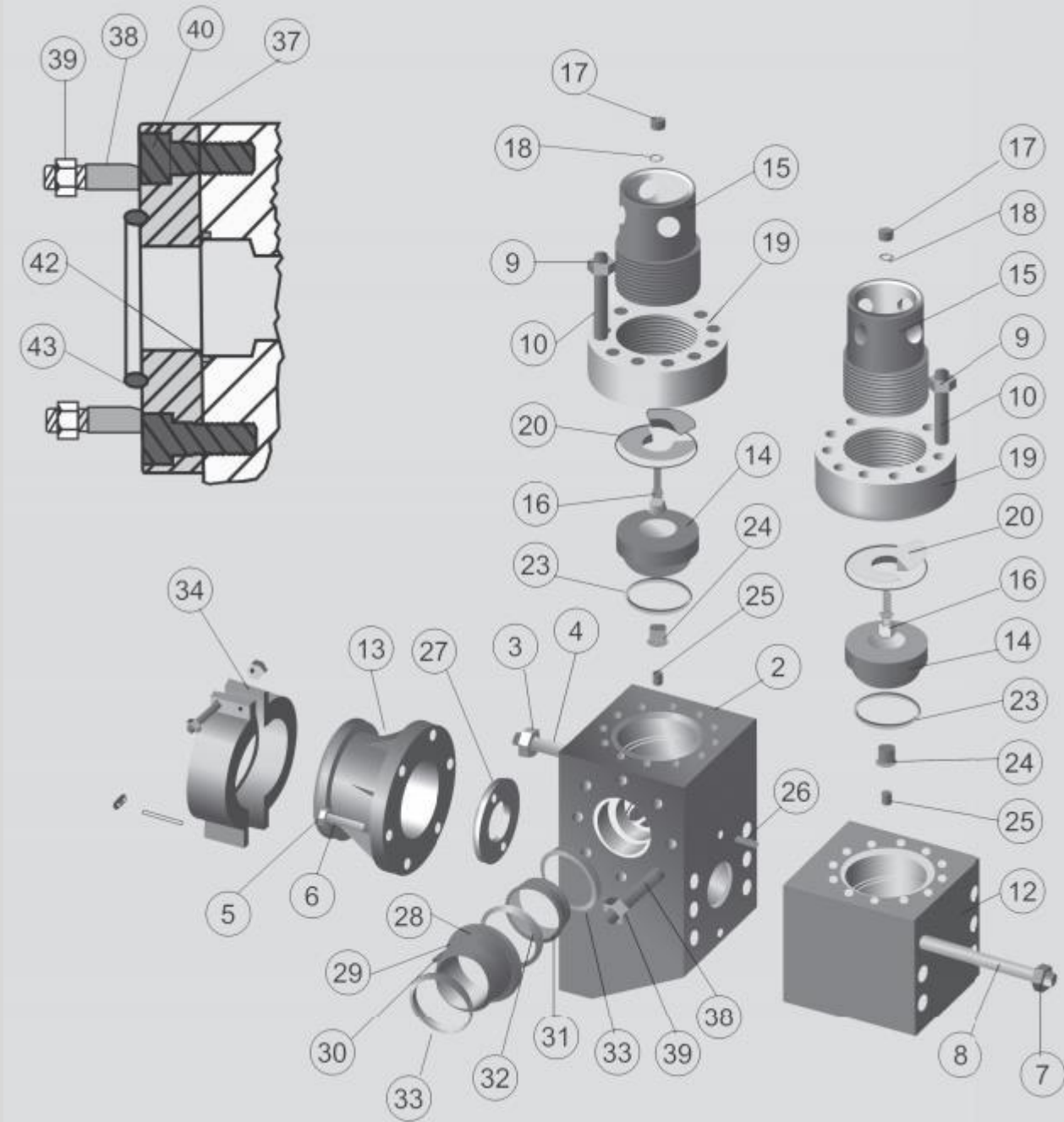
Item	Part No.	Description	Qty per Pump
1	1293240	Discharge Module, Studded (Included Items 2 – 10)	(3)
2	1293241	Discharge Module, Only	3
3	6300200	Nut – Frame	24
4	2408030	Stud – Frame	24
5	6300160	Nut – Liner Bushing	18
6	2408018	Stud – Liner Bushing	18
7	6300241	Nut – Suction to Discharge Module	18
8	2408034	Stud – Suction to Discharge Module	18
9	6300220	Nut – Threaded Ring	72
10	2408019	Stud – Threaded Ring	72
11	1290338	Suction Module, Studded (Included Items 9, 10, 14)	(3)
12	1290339	Suction Module, Only	3
13	1293165	Bushing – Liner	3
14	1290174	Seal Retainer	6
15	1290307	Valve Cover	6
16	1290178	Screw – Wedge Adjusting	6
17	6300160	Nut – Wedge Adjusting	6
18	1290315	Washer – Wedge Adjusting	6
19	1290308	Threaded Ring	6
20	1290376	Wedge Assembly (Included Items 21 – 22)	(6)
21	1290179*	Wedge, Set	6
22	1290181*	Spring – Wedge Retaining	6
23	1540126	Gasket – Valve Cover	6
24	1292140	Holder – Valve Guide	6
25	1292141	Insert – Valve Guide	6
26	6511416	Pin, Dowell	6
27	1290357	Plate – Wear	3
28	1290342	Connector – Discharge	2
29	7000305-11	Screw, Hex Head	6
30	7619050	Washer, Lock	6
31	1290343	Adapter – Discharge Connector	2
32	2410031-348	Packing, Rectangular	2
33	2410031-427	Packing, Rectangular	4
34	1293166	Clamp – Liner	3
35	1590051*	Seal – Suction Manifold	3
36	1293243	Spacer – Discharge, Studded (Included Items 37 – 39)	(2)
37	1293244	Spacer – Discharge	2
38	2402560	Stud – Discharge Spacer	16
39	6300200	Nut – Discharge Spacer	16
40	7006606	Capscrew	16
41	1290344*	Seal – Module, Wear Plate	6

42	1290345	Seal – Discharge Spacer	2
43	6908033	Ring, Oval Joint	2

Offered in Plain Carbon or Stainless Steel

\* Not shown

## 9 – P – 100





## FLUID END MODULE AND ACCESSORIES

### 10-P-130

Item	Part No.	Description	Qty per Pump
1	1290335	Discharge Module, Studded (Included Items 2 – 10)	(3)
2	1290336	Discharge Module, Only	3
3	6300240	Nut – Frame	24
4	2408020	Stud – Frame	24
5	6300160	Nut – Liner Bushing	18
6	2408018	Stud – Liner Bushing	18
7	6300241	Nut – Suction to Discharge Module	18
8	2408034	Stud – Suction to Discharge Module	18
9	6300220	Nut – Threaded Ring	72
10	2408019	Stud – Threaded Ring	72
11	1290338	Suction Module, Studded (Included Items 9, 10, 12)	(3)
12	1290339	Suction Module, Only	3
13	1290165	Bushing – Liner	3
14	1290174	Seal Retainer	6
15	1290307	Valve Cover	6
16	1290178	Screw – Wedge Adjusting	6
17	6300160	Nut – Wedge Adjusting	6
18	1290315	Washer – Wedge Adjusting	6
19	1290308	Threaded Ring	6
20	1290376	Wedge Assembly (Included Items 21 – 22)	6
21	1290179*	Wedge, Set	6
22	1290181*	Spring – Wedge Retaining	6
23	1540126	Gasket – Valve Cover	6
24	1292140	Holder – Valve Guide	6
25	1292141	Insert – Valve Guide	6
26	6511416	Pin, Dowell	6
27	1290357	Plate – Wear	3
28	1290342	Connector – Discharge	2
29	7000305-11	Screw, Hex Head	16
30	7619050	Washer, Lock	16
31	1290343	Adapter – Discharge Connector	2
32	2410031-348	Packing, Rectangular	2
33	2410031-427	Packing, Rectangular	4
34	1290166	Clamp – Liner	3
35	1590051*	Seal – Suction Manifold	3
36	1290348	Spacer – Discharge, Studded (Included Items 37 – 39)	2
37	1290341	Spacer – Discharge	2
38	2402560	Stud – Discharge Spacer	16
39	6300200	Nut – Discharge Spacer	16
40	7006605	Capscrew	16
41	1290344*	Seal – Module, Wear Plate	6

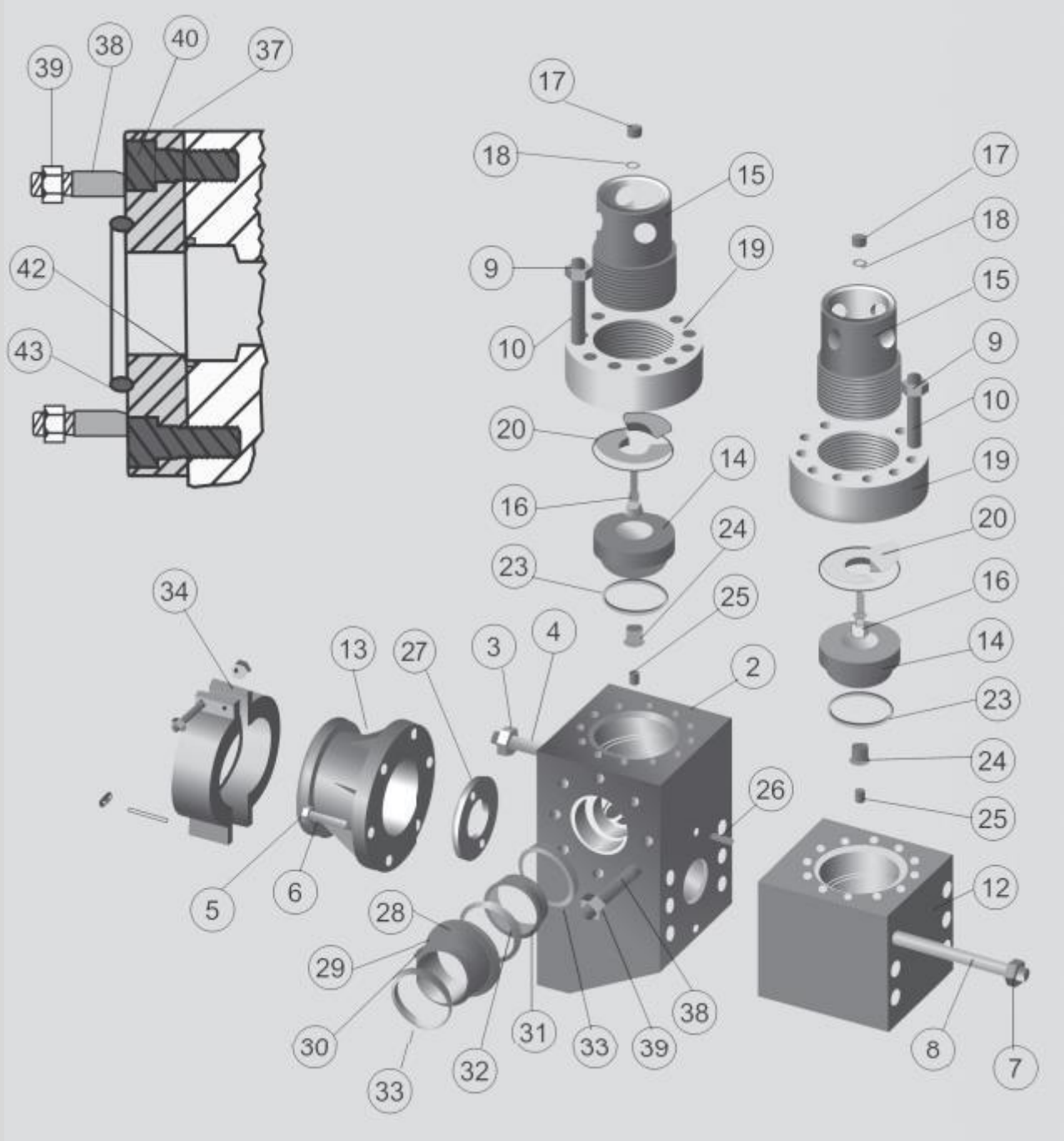


42	1290345	Seal – Discharge Spacer	2
43	6908033	Ring – Oval Joint	2

Offered in Plain Carbon or Stainless Steel

\* Not shown

## 10 – P – 130



**NATIONAL**



## FLUID END MODULE AND ACCESSORIES

### 12-P-160

Item	Part No.	Description	Qty per Pump
1	1292240	Discharge Module, Studed (Included Items 2 – 10)	(3)
2	1292241	Discharge Module, Only	3
3	6300220	Nut – Frame	30
4	2408029	Stud – Frame	30
5	6300180	Nut – Liner Bushing	18
6	2408028	Stud – Liner Bushing	18
7	6300281	Nut – Suction to Discharge Module	18
8	2408033	Stud – Suction to Discharge Module	18
9	6300240	Nut – Threaded Ring	72
10	2408027	Stud – Threaded Ring	72
11	1292243	Suction Module, Studed (Included Items 9, 10, 12)	(3)
12	1292244	Suction Module, Only	3
13	1292165	Bushing – Liner	3
14	1292174	Seal Retainer	6
15	1292172	Valve Cover	6
16	1292178	Screw – Wedge Adjusting	6
17	6300182	Nut – Wedge Adjusting	6
18	1292171	Washer – Wedge Adjusting	6
19	1292176	Thread Ring	6
20	1292268	Wedge Assembly (Included Items 21 – 22)	6
21	1292179*	Wedge, Set	6
22	1292181*	Spring – Wedge Retaining	6
23	1540127	Gasket – Valve Cover	6
24	1292140	Holder – Valve Guide	6
25	1292141	Insert – Valve Guide	6
26	6511416	Pin, Dowell	6
27	1292266	Plate – Wear	3
28	1292252	Connector – Discharge	2
29	7000307-11	Screw, Hex Head	16
30	7619050	Washer, Lock	16
31	1292253	Adapter – Discharge Connector	2
32	2410031-433	Packing, Rectangular	2
33	2410031-437	Packing, Rectangular	4
34	1292166	Clamp – Liner	3
35	1540851*	Seal – Suction Manifold	3
36	1292262	Spacer – Discharge, Studed (Included Items 37 – 39)	2
37	1292246	Spacer – Discharge	2
38	2408015	Stud – Discharge Spacer	16





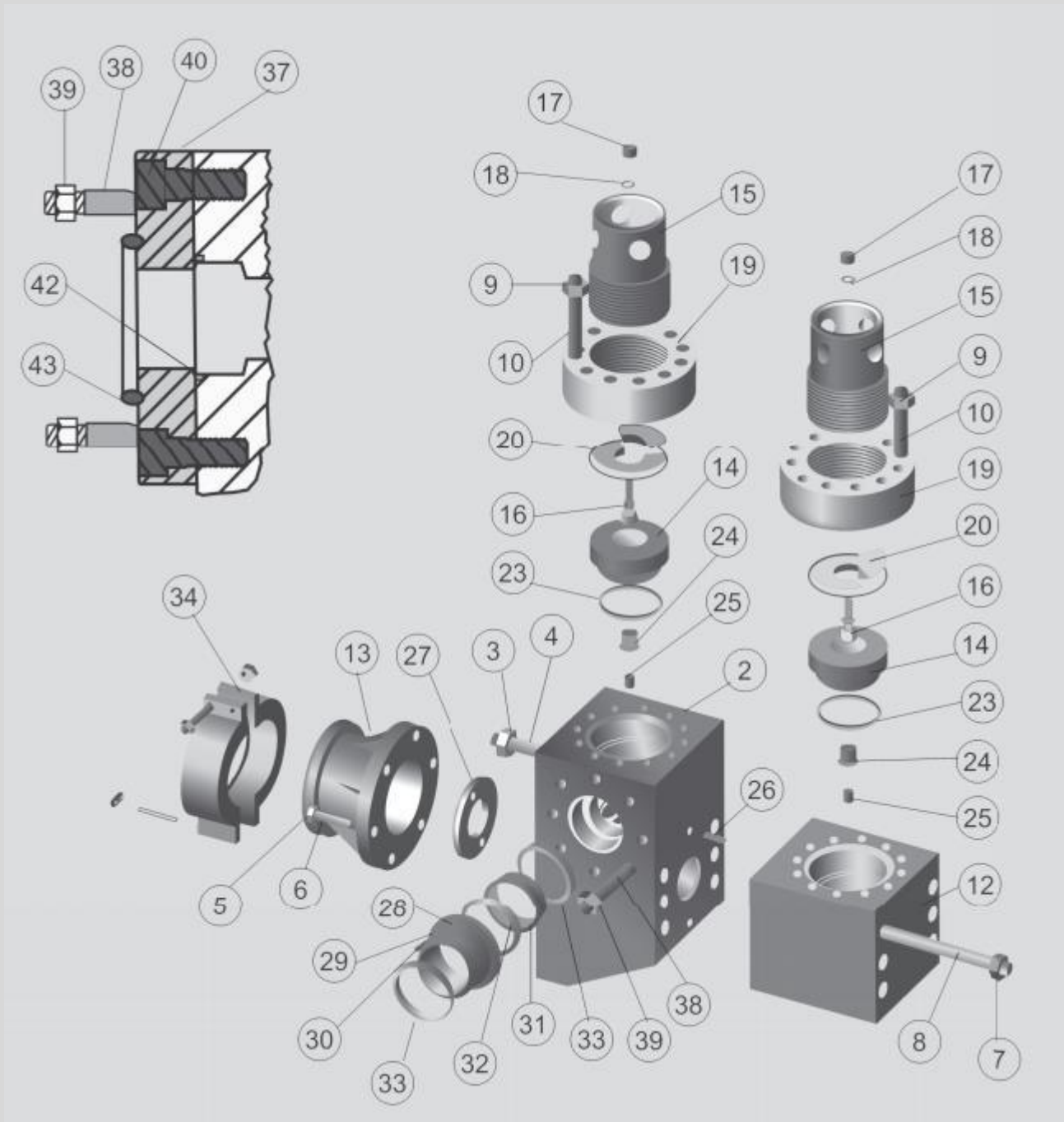
## FLUID END MODULE AND ACCESSORIES

39	6300240	Nut – Discharge Spacer	16
40	7006685*	Capscrew	16
41	1292257*	Seal – Module, Wear Plate	6
42	1292258	Seal – Discharge Spacer	2
43	6908040	Ring – Oval Joint	2

Offered in Plain Carbon or Stainless Steel

\* Not shown

12 – P – 160





## FLUID END MODULE AND ACCESSORIES

### OILWELL

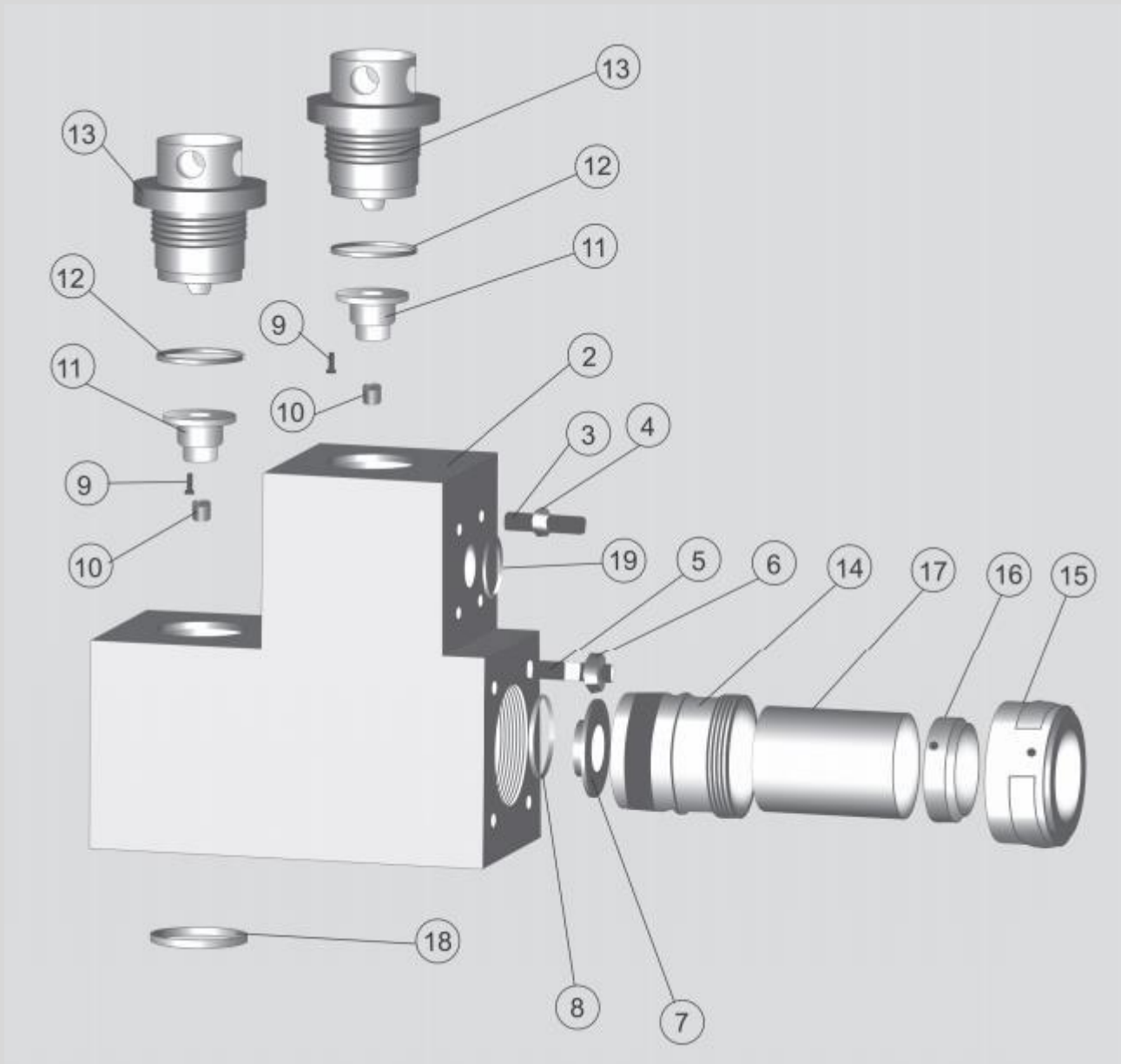
#### A-850-PT, A-1100-PT, A-1400-PT & A-1700-PT

Item	Part No.	Description	Qty per Pump
1	10-300-181	Discharge Module, Studded (Included Items 2 – 6)	(3)
2		Discharge Module, Only	3
3	49-001-292	Stud – Discharge Manifold	12
4	75-511-754	Nut – Discharge Manifold	12
5	49-002-837	Stud – Frame	12
6	75-510-126	Nut – Frame	12
7	10-300-184	Wear Plate – Liner	6
8	20-100-008	Gasket – Liner Wear Plate	6
9	75-632-234	Cap Screw, Self Locking	24
10	20-200-004	Valve Guide Bushing	6
11	10-300-004	Valve Guide	6
12	10-300-011	Gasket – Valve Cover	6
13	10-300-005	Valve Cover	6
14	10-300-183	Liner Adapter	3
15	10-303-092	Nut – Liner Adapter (A850-PT, A1100-PT only)	3
	10-300-182	Nut – Liner Adapter (A1400-PT, A1700-PT only)	3
16	10-300-185	Spacer Ring – Liner	3
17	10-303-091	Centering Sleeve – Liner (A850-PT, A1100-PT only)	3
	10-300-186	Centering Sleeve – Liner (A1400-PT, A1700-PT only)	3
18	10-300-201	Seal – Suction Manifold	3
19	99-609-345	Seal – Discharge Manifold	3

Offered in Plain Carbon or Stainless Steel

\* Not shown

A-850-PT A-1100-PT  
A-1400-PT A-1700-PT





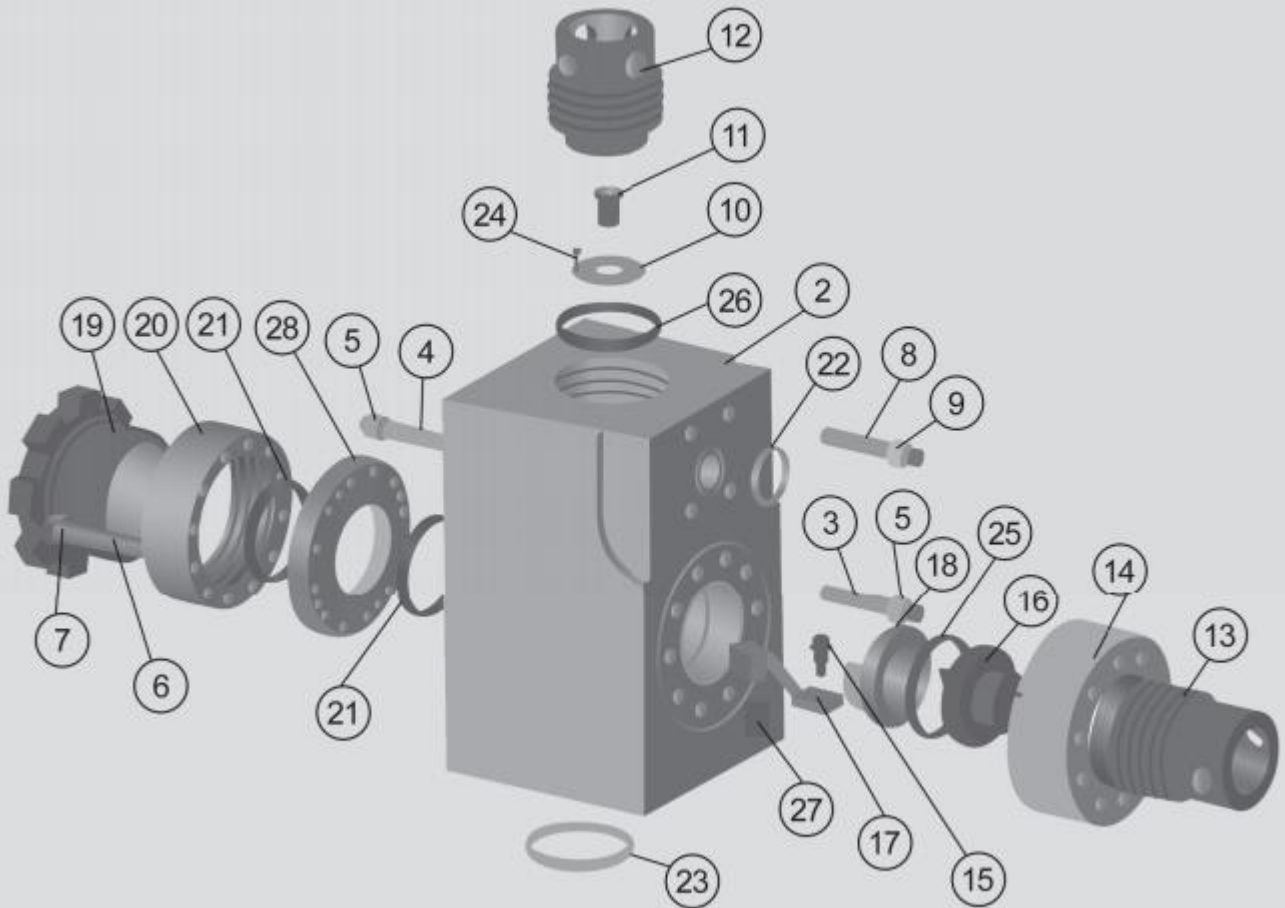
## FLUID END MODULE AND ACCESSORIES

### “L” SHAPED

#### FB-1300 & FB-1600

Item	Part No.	Description	Qty per Pump
	8490-2A	Complete Assembly	(3)
	8490-1	Fluid Module, Discharge - Studded (included Items 1-5)	(3)
1		Fluid Module - Discharge	3
2	4016-9	Stud w/Nut - Frame	18
3	4017-1	Stud w/Nut - Suction Module	18
4	4017-46	Stud w/Nut - Discharge Manifold	12
5	4015-2	Stud w/Nut - Valve Cover	72
	8490-2	Fluid Module, Suction - Studded (included items 5-6)	(3)
6		Fluid Module - Suction	3
7	7602-1600-61	Seal - Suction Manifold	3
8	8488-5	Dowel Pin	6
9	4475	Threaded Flange	6
10	4575	Screw Gland	6
	4675-2A	Valve Cover Plug Assembly (included items 11-14)	(6)
11	4675-2	Plug - Valve Cover	6
12	4775-2	Valve Guide	6
13	4016-99	Stud w/Nut - Valve Guide	16
14	4700-1	Insert - Valve Guide	6
15	P129	Seal - Valve Cover Plug	6
16	6490-3	Liner Retainer Flange	3
17	4017-36	Capscrew - Liner Retainer	24
18	6590-1	Nut - Liner Retainer	3
19	8422-3	Pilot Ring - Liner Retainer	3
20	8490-3	Plate - Wear	3
21	2988	Seal - Module and Wear Plate	6
22	7602-1600-25	Seal - Discharge Manifold	3

## FB-1300 FB-1600



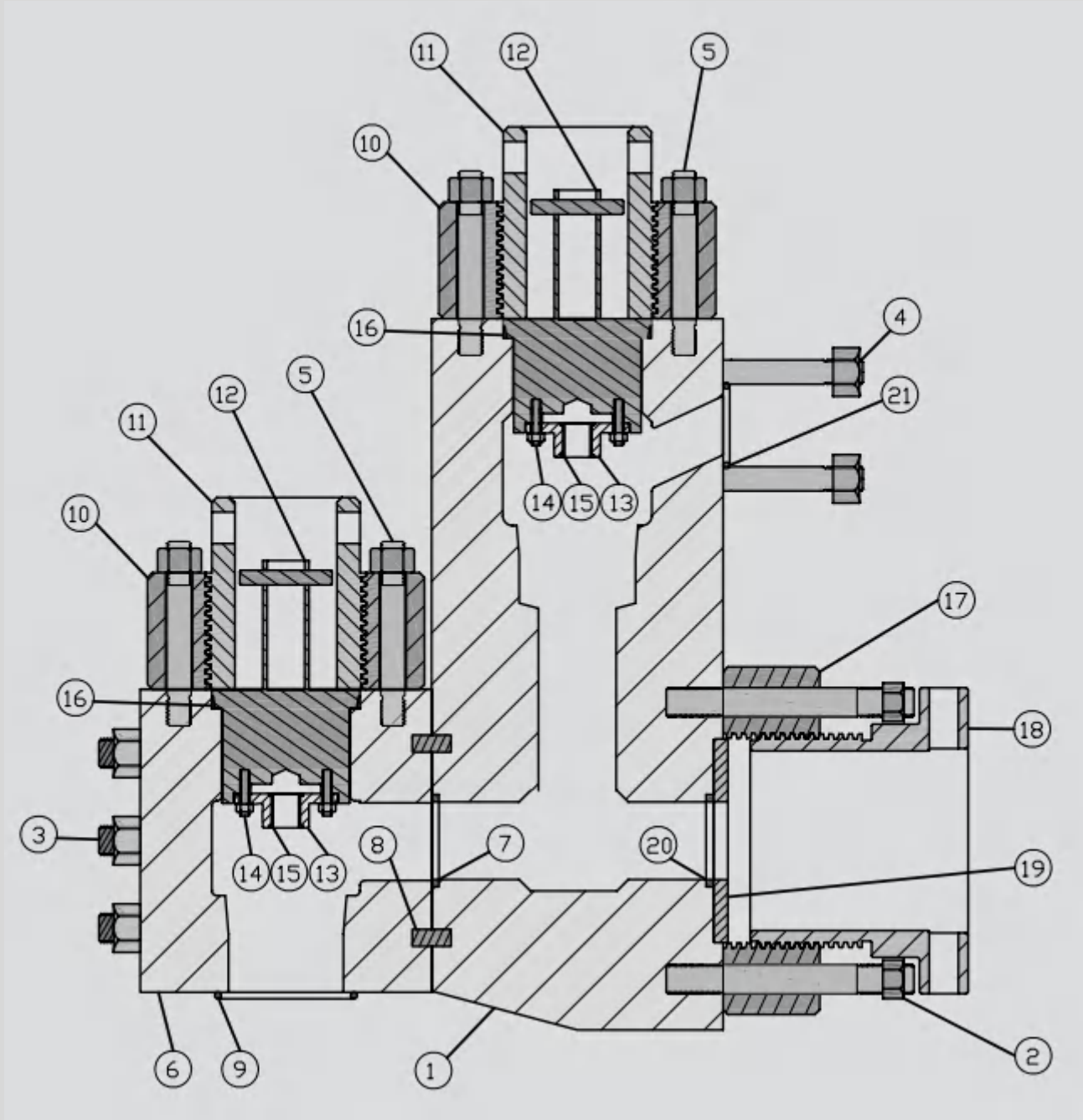


## FLUID END MODULE AND ACCESSORIES

### “L” SHAPED T-1300 & T-1600

Item	Part No.	Description	Qty per Pump
	8407-7A	Complete Assembly	(3)
	8407-7	Fluid Module, Discharge - Studded (included items 1-5)	(3)
1		Fluid Module - Discharge	3
2	4018-68	Stud w/Nut - Frame, Liner Retainer	24
3	4016-97	Stud w/Nut - Suction Module	24
4	4017-50	Stud w/Nut - Discharge Manifold	12
5	4015-2	Stud w/Nut - Valve Cover	48
	8407-11	Fluid Module, Suction - Studded (included items 5-6)	(3)
6		Fluid Module - Suction	3
7	2988	Seal - Suction Module	3
8	8488-5	Dowel Pin	6
9	IO-507	Seal - Suction Manifold	3
10	4475	Threaded Flange	3
11	4575	Screw Gland	3
	4675-2A	Valve Cover Plug Assembly (included items 12-15)	(3)
12	4675-2	Plug - Valve Cover	3
13	4775-2	Valve Guide	3
14	4016-99	Stud w/Nut - Valve Guide	12
15	4700-I	Insert - Valve Guide	3
16	P129	Seal - Valve Cover Plug	3
17	6407	Liner Retainer Flange	3
18	6507	Nut - Liner Retainer	3
19	8407-10	Plate - Wear	3
20	2988	Seal - Wear Plate	3
21	IO-548	Seal - Discharge Manifold	3

**T-1300 T-1600**





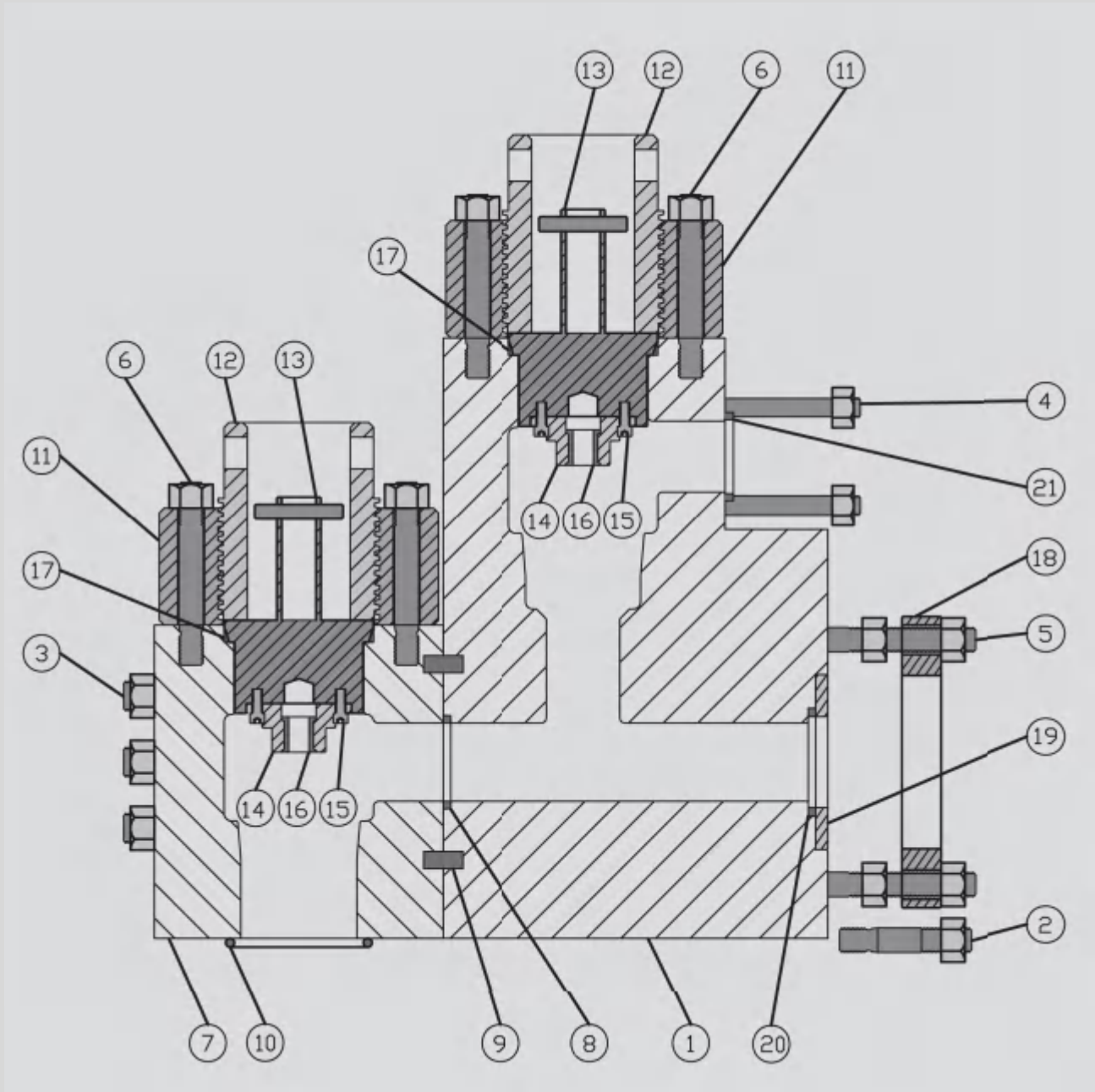


## FLUID END MODULE AND ACCESSORIES

### “L” SHAPED PZ-10 & PZ-11

Item	Part No.	Description	Qty per Pump
	8477-A	Complete Assembly	(3)
	8477-1	Fluid Module, Discharge - Studded (included items 1-6)	(3)
1		Fluid Module - Discharge	3
2	4018-35	Stud w/Nut - Frame	24
3	4016-97	Stud w/Nut - Suction Module	18
4	4017-5	Stud w/Nut - Discharge Manifold	12
5	4018-34	Stud w/2 Nut - Liner Retainer	24
6	4015-2	Stud w/Nut - Valve Cover	72
	8477-2	Fluid Module, Suction - Studded (included items 6-7)	(3)
7		Fluid Module - Suction	3
8	2988	Seal - Suction Module	3
9	8488-5	Dowel Pin	6
10	25BE41	Seal - Suction Manifold	3
11	4475	Threaded Flange	6
12	4575	Screw Gland	6
	4675-1A	Valve Cover Plug Assembly (included items 13-16)	(6)
13	4675-1	Plug - Valve Cover	6
14	4775	Valve Guide	6
15	4016-99	Stud w/Nut - Valve Guide	24
16	4700-I	Insert - Valve Guide	6
17	P129	Seal - Valve Cover Plug	6
18	6477	Liner Retainer Flange	3
19	8477-3	Plate - Wear	3
20	2930-08	Seal - Wear Plate	3
21	25AL35	Seal - Discharge Manifold	3

**PZ-10 PZ-11**



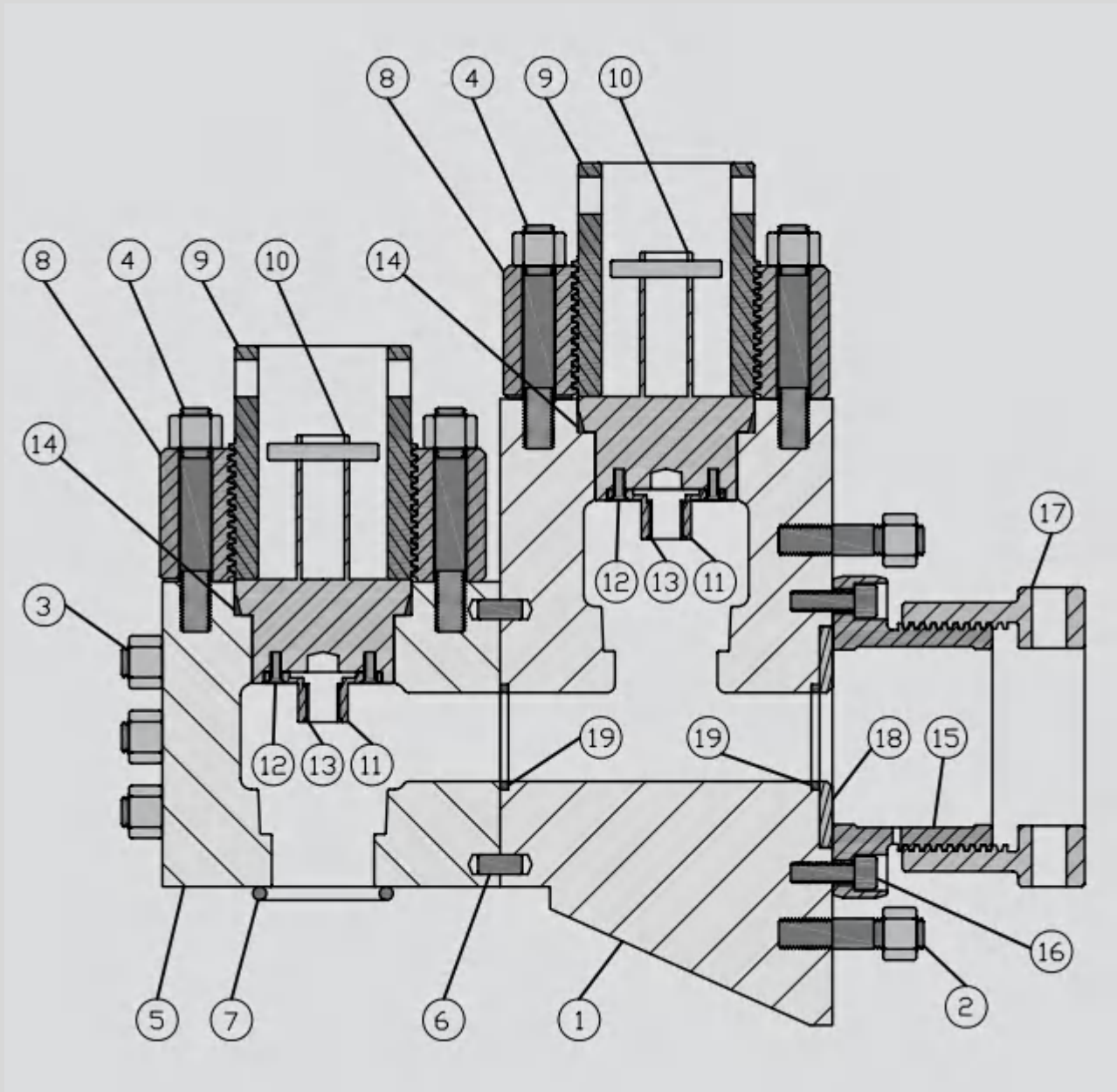


**FLUID END MODULE  
AND ACCESSORIES**

**“L” SHAPED  
10-P-130**

<b>Item</b>	<b>Part No.</b>	<b>Description</b>	<b>Qty per Pump</b>
	8467-A	Complete Assembly	(3)
	8467-1	Fluid Module, Discharge - Studded (included Items 1-4)	(3)
1		Fluid Module - Discharge	3
2	4015-96	Stud w/Nut - Frame	30
3	4017-1	Stud w/Nut - Suction Module	18
4	4015-5	Stud w/Nut - Valve Cover	72
	8467-2	Fluid Module, Suction - Studded (included items 4-5)	(3)
5		Fluid Module - Suction	3
6	8488-5	Dowel Pin	6
7	1590051	Seal - Suction Manifold	3
8	4467	Threaded Flange	6
9	4567	Screw Gland	6
	4667-A	Valve Cover Plug Assembly (included items 10-13)	(6)
10	4667	Plug - Valve Cover	6
11	4760-3	Valve Guide	6
12	4016-98	Screw - Valve Guide	16
13	4700-I	Insert - Valve Guide	6
14	P128	Seal - Valve Cover Plug	6
15	6495	Liner Retainer Flange	3
16	4017-8	Capscrew - Liner Retainer	18
17	6595	Nut - Liner Retainer	3
18	8467-3	Plate - Wear	3
19	2988	Seal - Module and Wear Plate	6

10-P-130





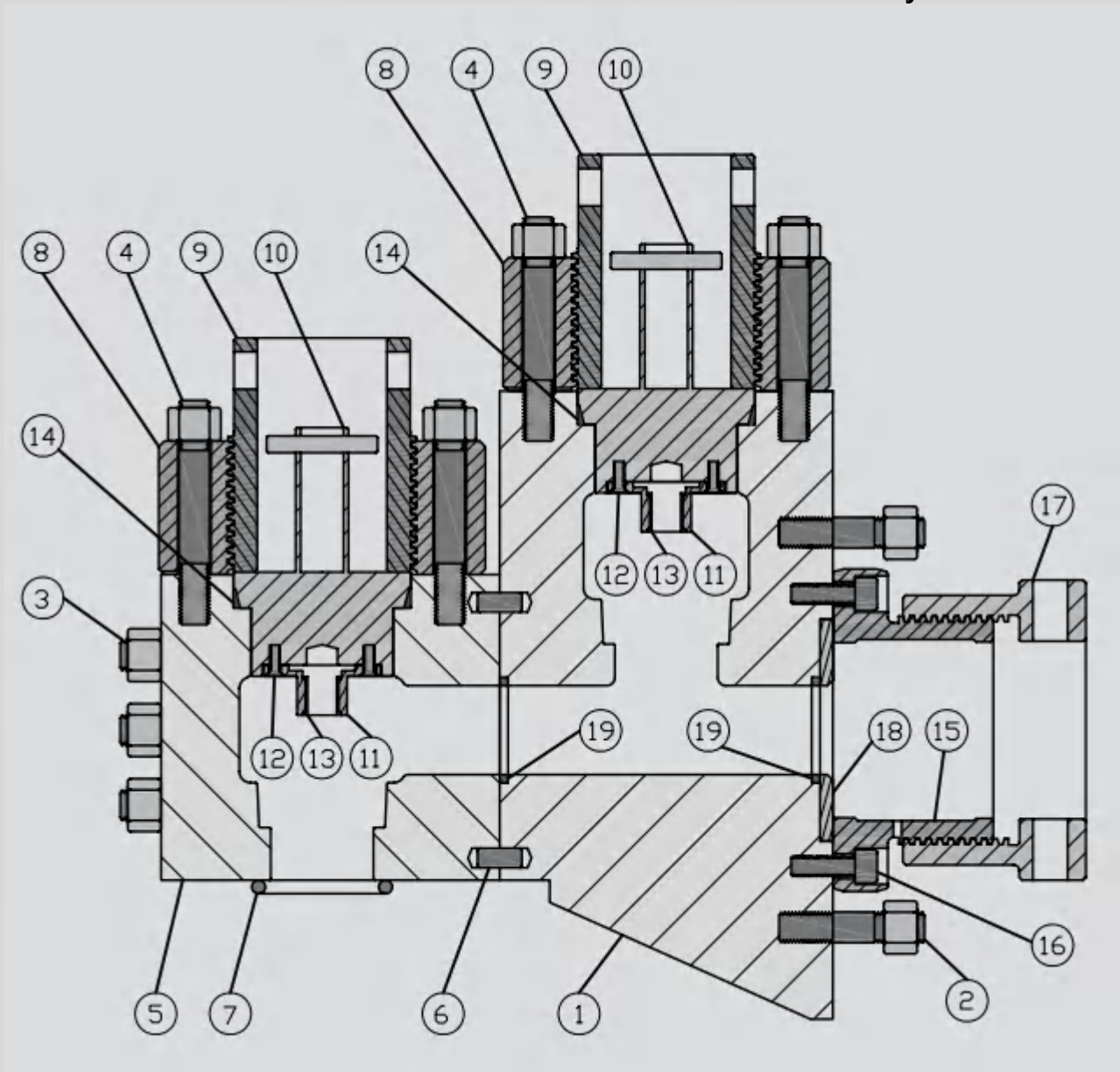
## FLUID END MODULE AND ACCESSORIES

### “L” SHAPED

#### 12-P-160 New Style

Item	Part No.	Description	Qty per Pump
	8476-4A	Complete Assembly	(3)
	8476-5	Fluid Module, Discharge - Studded (included Items 1-4)	(3)
1		Fluid Module - Discharge	3
2	4015-95	Stud w/Nut - Frame	30
3	4018-17	Stud w/Nut - Suction Module	18
4	4015-54	Stud w/Nut - Valve Cover	72
	8476-6	Fluid Module, Suction - Studded (included items 4-5)	(3)
5		Fluid Module - Suction	3
6	8488-5	Dowel Pin	6
7	1540851	Seal - Suction Manifold	3
8	4476	Threaded Flange	6
9	4597	Screw Gland	6
	4676-6A	Valve Cover Plug Assembly (included items 10-13)	(6)
10	4676-6	Plug - Valve Cover	6
11	4776	Valve Guide	6
12	4016-98	Screw - Valve Guide	24
13	4700-I	Insert - Valve Guide	6
14	P119	Seal - Valve Cover Plug	6
15	6476	Liner Retainer Flange	3
16	4017-65	Capscrew - Liner Retainer	18
17	6576	Nut - Liner Retainer	3
18	8476-3	Plate - Wear	3
19	2988	Seal - Module and Wear Plate	6

**12-P-160 New Style**





## FLUID END MODULE AND ACCESSORIES

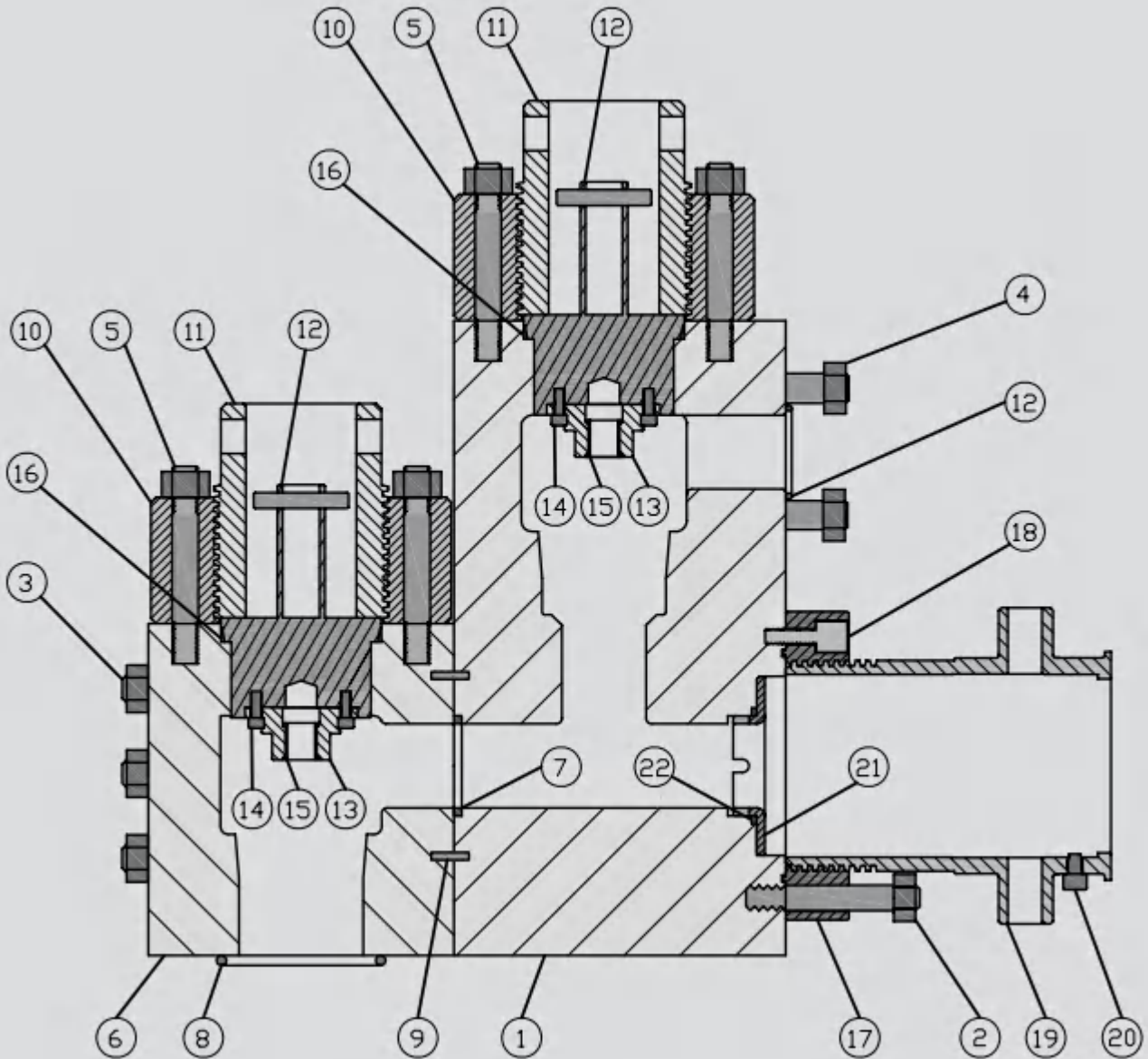
### “L” SHAPED

#### A-850-PT, A-1100-PT, A-1400-PT & A-1700-PT

Item	Part No.	Description	Qty per Pump
	8487-A	Complete Assembly (A-850-PT, A-1100-PT)	(3)
	8488-1A	Complete Assembly (A-1400-PT, A-1700-PT)	(3)
	8488-1	Fluid Module, Discharge - Studded (included items 1-5)	(3)
1		Fluid Module - Discharge	3
2	4016-96	Stud w/Nut - Frame	12
3	4016-97	Stud w/Nut - Suction Module	18
4	4016-3	Stud w/Nut - Discharge Manifold	12
5	4015-2	Stud w/Nut - Valve Cover	72
	8488-2	Fluid Module, Suction - Studded (included items 5-6)	(3)
6		Fluid Module - Suction	3
7	2988	Seal - Module	3
8	10-300-201	Seal - Suction Manifold	3
9	8488-5	Dowel Pin	6
10	4475	Threaded Flange	6
11	4575	Screw Gland	6
	4675-1A	Valve Cover Plug Assembly (included items 12-15)	(6)
12	4675-1	Plug - Valve Cover	6
13	4775	Valve Guide	6
14	4018-88	Screw - Valve Guide	12
15	4700-I	Insert - Valve Guide	6
16	P129	Seal - Valve Cover Plug	3
17	6488-1	Liner Retainer Flange	3
18	4017-4	Capscrew - Liner Retainer	24
19	6587-1	Nut - Liner Retainer (A-850-PT, A-1100-PT ONLY Large OD Liner, 0289-XX)	3
	6588-1	Nut - Liner Retainer (A-1400-PT, A-1700-PT ONLY Large OD Liner, 0284-XX)	3
20	8488-7	Set Screw - Liner Retainer	9
21	8488-4	Plate - Wear	3
22	2974-1	Seal - Wear Plate	3



A-850-PT A-1100-PT  
A-1400-PT A-1700-PT





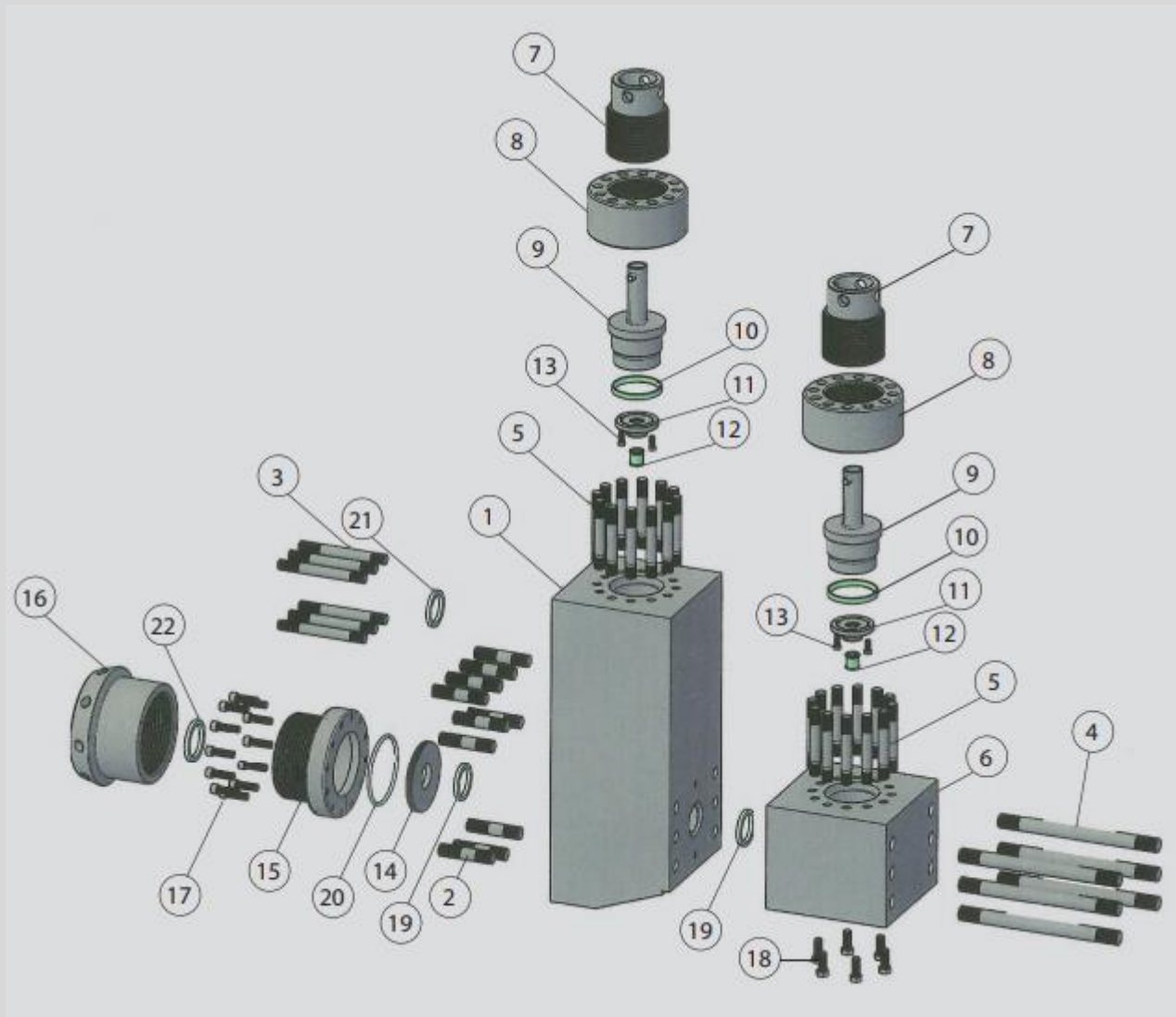


## FLUID END MODULE AND ACCESSORIES

### SW STYLE BOMCO F-1600 7500 PSI

Item	Part No.	Description	Qty per Pump
	8404-25A	Fluid End Assembly Complete	3
	8404-27	Discharge Module - Studded (Includes Items 1-5)	
1	8404-27U	Discharge Module	3
2	4017-33	Power End Stud c/w Nut	30
3	4019-60	Discharge Manifold Stud c/w Nut	18
4	4019-61	Suction Module Stud c/w Nut	18
5	4015-2	Valve Cover Stud c/w Nut	72
	8404-26	Suction Module - Studded (Includes Items 5-6)	
6	8404-26U	Suction Module	3
7	4588-25	Screw Gland	6
8	4488-25	Valve Cover Flange	6
	4690-25A	Valve Cover Plug Assembly (Includes Items 9-13)	
9	4690-25	Valve Cover Plug	6
10	P115	Valve Cover Plug Seal	6
11	4788-25	Valve Guide	6
12	4700-I	Valve Guide Bushing	6
13	4018-18	Valve Guide Screw	12
14	8490-28	Liner Wear Plate	3
15	6490-25	Liner Retainer Flange	3
16	6590-25	Liner Retainer Nut	3
17	4019-51	Liner Retainer Capscrew	36
18	4018-19	Suction Manifold Capscrew	18
19	2988	Module/Wear Plate Seal	6
20	568-443	Wear Plate O-Ring	3
21	2988	Discharge Manifold Seal	3
		NOT SHOWN	
	6316020100	Suction Manifold	1
	8376-25	Discharge Manifold	1

**SW STYLE  
BOMCO F-1600  
7500 PSI**



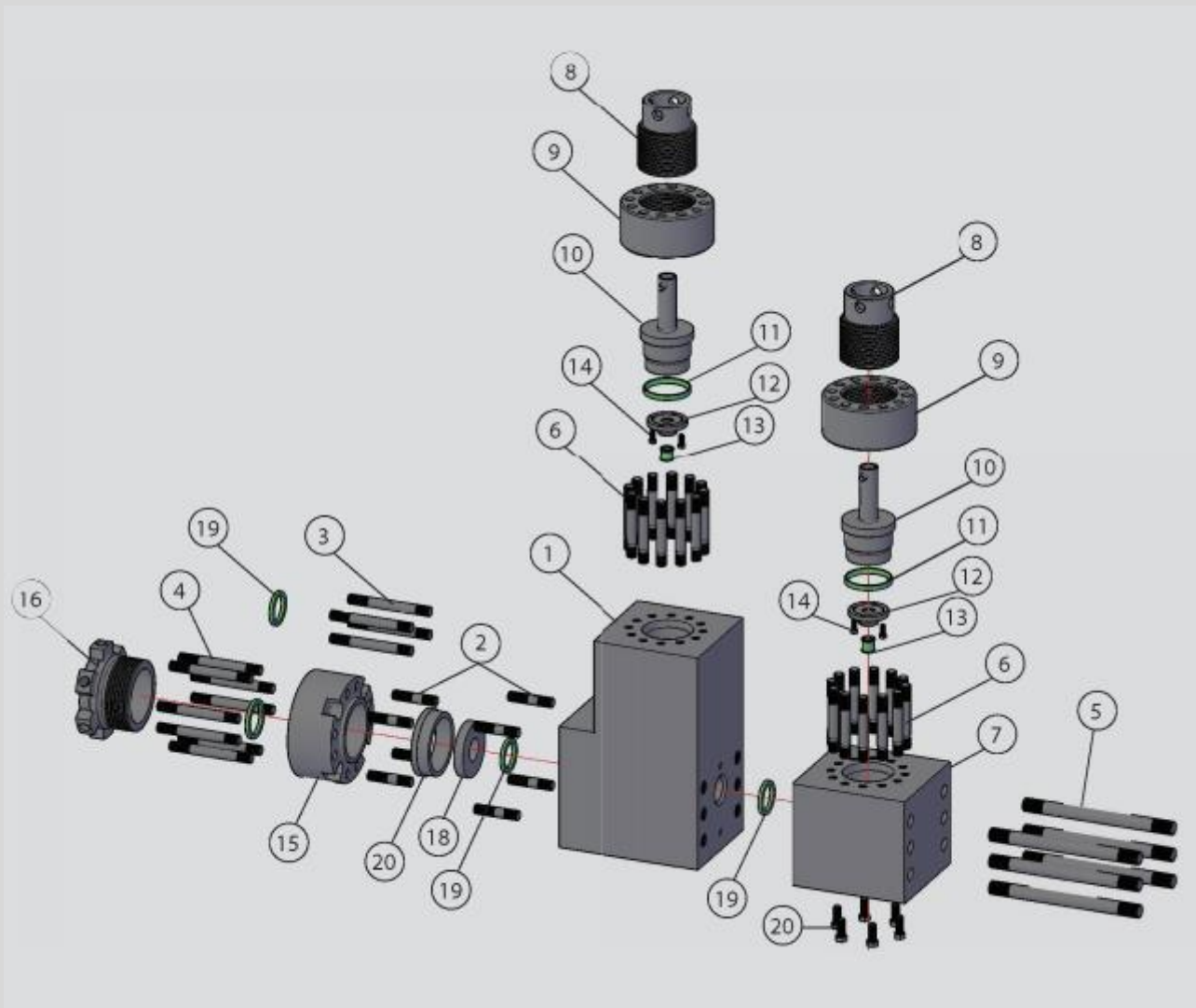


## FLUID END MODULE AND ACCESSORIES

### SW Style Gardner Denver PZ-11 7500 PSI

Item	Part No.	Description	Qty per Pump
	8477-25A	Fluid End Assembly Complete	3
	8477-27	Discharge Module - Studded (Includes Items 1-6)	
1	8477-27U	Discharge Module	3
2	4019-46	Power End Stud c/w Nut	24
3	4019-45	Discharge Manifold Stud c/w Nut	12
4	4019-45	Liner Retainer Stud c/w Nut	24
5	4019-44	Suction Module Stud c/w Nut	18
6	4015-2	Valve Cover Stud c/w Nut	72
	8477-26	Suction Module - Studded (Includes Items 6-7)	
7	8477-26U	Suction Module	3
8	4588-25	Screw Gland	6
9	4488-25	Valve Cover Flange	6
	4688-25A	Valve Cover Plug Assy (Includes Items 10-14)	
10	4688-25	Valve Cover Plug	6
11	P115	Valve Cover Plug Seal	6
12	4788-25R	Valve Guide	6
13	4700-I	Valve Guide Bushing	16
14	4018-18	Valve Guide Screw	12
15	6477-25	Liner Retainer Flange	3
16	6577-25	Liner Retainer Nut	3
17	8477-29	Alignment Ring	3
18	8477-30	Liner Wearplate	3
19	2988	Wearplate, Module, Discharge Manifold Seal	9
20	4017-77	Suction Manifold Capscrew	24
		NOT SHOWN	
	8577-25	Suction Manifold	1
	8377-27	Discharge Manifold	1

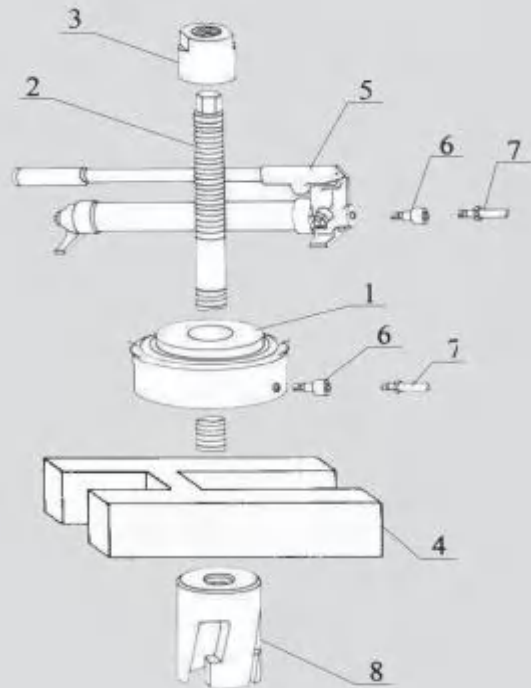
**SW STYLE  
GARDNER DENVER PZ-11  
7500 PSI**



## HYDRAULIC VALVE SEAT PULLER PARTS & OPERATING INSTRUCTIONS

- 1 Insert head into pot and lock into seat.  
Screw stem into head.
- 2 Place H bar over stem and center  
over pot bore. Place jack  
over stem and on H bar.
- 3 Tighten stem nut onto stem until all slack  
is removed. The jack may be strapped  
down to eliminate jumping action when  
seat breaks loose.
- 4 Attach hose to pump and jack then pump  
handle untill seat breaks loose.

Manual Pump(5) Max 10,000 PSI  
Hydraulic Jack(1) 170 ton



No.	Part Number	Description
	MK-1700	Valve Seat Puller Assembly complete w/ metal case
1	MK-1701	Hydraulic Jack
	MK-1717	Hydraulic Jack Seal Repair Kit
2	MK-1702	Center Stem
3	MK-1703	Center Stem Nut
4	MK-1704	Puller H Bar
5	MK-1708	Hydraulic Pump
	MK-1718	Hydraulic Pump Repair Kit
6	MK-1713	Gauge Coupler
7	MK-1707	Hydraulic Hose

